

Roll No

Name:

Exam Date:

Module

Name:

Duration

Batch:

1) QT AND DI**Question No. 1**

4.00

Bookmark

The following table shows the percentage of Cricket players and scored runs by them in three different tournaments P, Q and R. Total number of players is 300 and all the 300 players played all the matches in each tournament. Based on the data in the table, answer the questions 1-5.

Tournament-wise Percentage of Players scoring runs

Tournament	% Players who scored runs		
	More than 60	More than 40	More than 20
P	25%	35%	80%
Q	25%	30%	60%
R	20%	30%	70%

Average number of players who scored more than 20 runs in all the three tournaments is

1. 180
2. 160
3. 190
4. 210

- 1 (Chosen Option)
- 2
- 3
- 4

Question No. 2

4.00

Bookmark

The following table shows the percentage of Cricket players and scored runs by them in three different tournaments P, Q and R. Total number of players is 300 and all the 300 players played all the matches in each tournament. Based on the data in the table, answer the questions 1-5.

Tournament-wise Percentage of Players scoring runs

Tournament	% Players who scored runs		
	More than 60	More than 40	More than 20
P	25%	35%	80%
Q	25%	30%	60%
R	20%	30%	70%

If L is the number of players who scored more than 40 runs in tournament P and M is the number of players who scored less than or equal to 40 runs in tournament R, then $M - L =$ _____.

1. 140
2. 130
3. 120
4. 105

- 1
 2
 3
 4 (Chosen Option)

Question No. 3

4.00

Bookmark

The following table shows the percentage of Cricket players and scored runs by them in three different tournaments P, Q and R. Total number of players is 300 and all the 300 players played all the matches in each tournament. Based on the data in the table, answer the questions 1-5.

Tournament-wise Percentage of Players scoring runs

Tournament	% Players who scored runs		
	More than 60	More than 40	More than 20
P	25%	35%	80%
Q	25%	30%	60%
R	20%	30%	70%

What is the total number of players who scored more than 60 runs in all the three tournaments?

1. 210
2. 270
3. 240
4. 235

- 1 (Chosen Option)
 2
 3

4**Question No. 4**

4.00

Bookmark

The following table shows the percentage of Cricket players and scored runs by them in three different tournaments P, Q and R. Total number of players is 300 and all the 300 players played all the matches in each tournament. Based on the data in the table, answer the questions 1-5.

Tournament-wise Percentage of Players scoring runs

Tournament	% Players who scored runs		
	More than 60	More than 40	More than 20
P	25%	35%	80%
Q	25%	30%	60%
R	20%	30%	70%

Number of players who scored less than or equal to 40 runs in tournament Q is _____ % more than the number of players who scored more than 60 runs in tournament P and Q together.

1. 65
2. 50
3. 40
4. 45

- 1
 2
 3 (Chosen Option)
 4

Question No. 5

4.00

Bookmark

The following table shows the percentage of Cricket players and scored runs by them in three different tournaments P, Q and R. Total number of players is 300 and all the 300 players played all the matches in each tournament. Based on the data in the table, answer the questions 1-5.

Tournament-wise Percentage of Players scoring runs

Tournament	% Players who scored runs		
	More than 60	More than 40	More than 20
P	25%	35%	80%
Q	25%	30%	60%
R	20%	30%	70%

What is the ratio between the number of players who scored more than 60 runs in tournament Q to the number of players who scored less than or equal to 20 runs in tournaments Q and R together?

1. 7:15
 2. 5:14
 3. 4:15
 4. 3:5
- 1
 2 (Chosen Option)
 3
 4

Question No. 6

4.00

Bookmark

If M, A and T are distinct positive integers such that $M \times A \times T = 1947$, then which of the following is the maximum possible value of $M + A + T$?

1. 189
 2. 649
 3. 653
 4. 1949
- 1
 2 (Chosen Option)
 3
 4

Question No. 7

4.00

Bookmark

Given below are two statements:

Statement I: Let A and B be two events such that $P(A) = 0.6$, $P(B) = 0.2$ and $P(AB) = 0.5$. Then $P(A \cap B) = \frac{3}{10}$

Statement II: Let A and B be two events such that $P(A) = 0.2$, $P(B) = 0.4$ and $P(A \cup B) = 0.6$. Then $P(AB) = \frac{3}{10}$

In the light of the above statements, choose the most appropriate answer from the options given below:

1. Both Statement I and Statement II are correct
2. Both Statement I and Statement II are incorrect
3. Statement I is correct but Statement II is incorrect
4. Statement I is incorrect but Statement II is correct

- 1
 2
 3
 4

Question No. 8

4.00

Bookmark

Let $S(n)$ represents the sum of digits of a natural number n . For example,

$$S(128) = 1 + 2 + 8 = 11.$$

What is the value of $S(2^6 \times 3^4 \times 5^5)$?

1. 9
2. 11
3. 14
4. 10

- 1 (Chosen Option)
 2
 3
 4

Question No. 9

4.00

Bookmark

Given below are two statements:

Statement I: A bag contains 10 white and 10 red face masks which are all mixed up. The fewest number of face masks you can take from a bag without looking and be sure to get a pair of the same color is 3.

Statement II: The minimum number of students needed in a class to guarantee that there are at least 6 students whose birthdays fall in the same month, is 61.

In the light of the above statements, choose the most appropriate answer from the options given below:

1. Both Statement I and Statement II are correct
2. Both Statement I and Statement II are incorrect
3. Statement I is correct but Statement II is incorrect
4. Statement I is incorrect but Statement II is correct

- 1 (Chosen Option)
- 2
- 3
- 4

Question No. 10

4.00

Bookmark

Given below are two statements:

Statement I: The difference between the cost price and sale price of an article is ₹ 240. If the profit is 20%, then the selling price is ₹ 1440.

Statement II: If the cost price of 10 DVDs is equal to the selling price of 7 DVDs, then the gain percent is $42\frac{6}{7}\%$

In the light of the above statements, choose the most appropriate answer from the options given below:

1. Both Statement I and Statement II are correct
2. Both Statement I and Statement II are incorrect
3. Statement I is correct but Statement II is incorrect
4. Statement I is incorrect but Statement II is correct

- 1 (Chosen Option)
- 2
- 3
- 4

Question No. 11

4.00

Bookmark

Anil travelled 300 km by bus and 200 km by Taxi. For this, it took him 5 hours and 30 minutes. However, if he travels 260 km by bus and 240 km by Taxi, then he takes 6 minutes more. The speed of the bus is _____ km/hour.

1. 100
2. 120
3. 80
4. 110

- 1 (Chosen Option)
- 2
- 3
- 4

Question No. 12

4.00

Bookmark

Find the range of values of real number x for which the inequality $(x + 2)(x + 5) > 40$ holds

1. $(-\infty, 10) \cup (3, \infty)$
2. $(3, \infty)$
3. $(-\infty, 1) \cup (1, \infty)$
4. $(-\infty, 10)$

- 1
- 2
- 3
- 4

Question No. 13

4.00

Bookmark

A and B started a business with investment of ₹ 4500 and ₹ 2700 respectively. Find the share of profit of A in the total annual profit of ₹ 256.

1. ₹ 170
2. ₹ 120
3. ₹ 160
4. ₹ 140

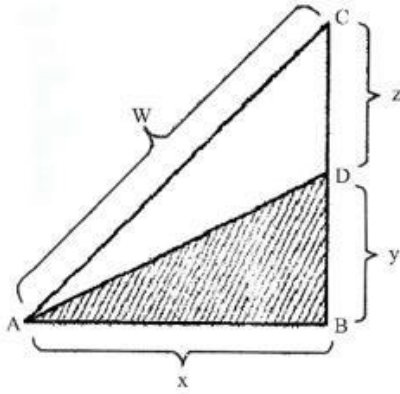
- 1
- 2
- 3 (Chosen Option)
- 4

Question No. 14

4.00

Bookmark

In the following diagram, if the shaded area is one half the area of triangle ABC and angle ABC is right angle, then the length of line segment AD is



1. $\frac{1}{2}w$
 2. $\sqrt{2x^2 + z^2}$
 3. $\sqrt{w^2 - 3y^2}$
 4. $\sqrt{y^2 + z^2}$
- 1
 2
 3
 4 (Chosen Option)

Question No. 15

4.00

Bookmark

Given below are two statements:

Statement I: If the roots of a quadratic equation are 2 and 3, then the equation is $x^2 - 5x - 6 = 0$

Statement II: If the roots of $4x^2 + 3kx + 9 = 0$ are real and distinct, then $k \leq -4$ or $k \geq 4$

In the light of the above statements, choose the most appropriate answer from the options given below:

1. Both Statement I and Statement II are correct
 2. Both Statement I and Statement II are incorrect
 3. Statement I is correct but Statement II is incorrect
 4. Statement I is incorrect but Statement II is correct
- 1 (Chosen Option)
 2
 3
 4

Question No. 16

4.00

Bookmark

The simple interest accrued on a sum of certain principal in 8 years at the rate of 13% per year is ₹ 6500. What would be the compound interest accrued on that principal at the rate of 8% per year in 2 years?

1. ₹ 1040
 2. ₹ 1020
 3. ₹ 1060
 4. ₹ 1200
- 1 (Chosen Option)
 2
 3
 4

Question No. 17

4.00

Bookmark

Given below are two statements:

Statement I: $(243)^{0.16} \times (9)^{0.1} = 0.3$

Statement II: If $3.105 \times 10^P = 0.00239 + 0.000715$, then $P = -3$

In the light of the above statements, choose the *most appropriate* answer from the options given below:

1. Both Statement I and Statement II are correct
 2. Both Statement I and Statement II are incorrect
 3. Statement I is correct but Statement II is incorrect
 4. Statement I is incorrect but Statement II is correct
- 1
 2
 3
 4 (Chosen Option)

Question No. 18

4.00

Bookmark

Average of a, b and c is 11; average of c, d and e is 17; average of e and f is 22 and average of e and c is 17. What is the average of a, b, c, d, e and f?

1. $15\frac{2}{3}$
 2. $18\frac{1}{2}$
 3. $16\frac{1}{2}$
 4. $16\frac{2}{3}$
- 1

- 2 (Chosen Option)
 3
 4

Question No. 19

4.00

Bookmark

The least number of square tiles required to pave the floor of a room 15 m 91 cm and 9 m 46 cm broad is

1. 814
2. 820
3. 840
4. 844

- 1 (Chosen Option)
 2
 3
 4

Question No. 20

4.00

Bookmark

Which of the following statements are true?

- A. If $x:y = 3:1$, then $x^3 - y^3 = \frac{10}{11}$
- B. If $x = y + 12$, $x:y = 3:2$ and $z:y = 1:3$, then $z + x = 44$
- C. If $3x = 8y$ and $5y = 9z$, then $\frac{x}{z} = \frac{72}{15}$

Choose the *most appropriate* answer from the options given below:

1. A and B only
2. A and C only
3. B and C only
4. A, B and C

- 1
 2
 3 (Chosen Option)
 4

2) Logical Reasoning**Question No. 1**

4.00

Bookmark

In an extended family, A is married to B and B has two sons C and D. The younger son D is married to E. F has two children E and G. How is G related to D ?

1. Brother
 2. Brother in law
 3. Cousin
 4. Son
- 1
- 2 (Chosen Option)
- 3
- 4

Question No. 2

4.00

Bookmark

Two words indicated by I and II have been left out. The correct word in place of I is given as one of the four options against I and correct word in place of II is given as one of the options against II. There is some relationships between two words to the left of :: and the same relationship is between the two words the right of sign :: The correct combination is given as one of four alternatives. Find the best combination. Here

I - (A) Cereal (B) Field (C) Bread (D) Farmer

II - (P) Building (Q) Marron (R) Clay (S) Kiln

I : Wheat :: Brick : II

1. AP
 2. BS
 3. CR
 4. DQ
- 1
- 2
- 3
- 4

Question No. 3

4.00

Bookmark

A word is represented by only one set of numbers as given in any one of the options. The sets of numbers given in the options are represented by two classes of alphabets as in the two matrices. A letter from matrices are represented first by row and then by its column number. Identify set for the word.

	0	1	2	3	4
0	D	O	B	A	I
1	O	B	A	I	D
2	B	A	I	D	O
3	A	I	D	O	B
4	I	D	O	B	A

	5	6	7	8	9
5	W	N	R	M	L
6	N	R	M	L	W
7	R	M	L	W	N
8	M	L	W	N	R
9	L	W	N	R	M

RAIN

1. 57, 12, 31, 56
2. 57, 21, 23, 79
3. 66, 44, 42, 96
4. 75, 30, 31, 87

- 1 (Chosen Option)
- 2
- 3
- 4

Question No. 4

4.00

Bookmark

The following question consist of a statement followed by two arguments I and II. Choose the best option

Statement: Should the cottage industry be shifted to urban cities from villages.

Argument I: No, the rural population will die of hunger.

Argument II: Yes, rural people will be encouraged to adopt farming as their livelihood.

1. Argument I is strong
2. Argument II is strong
3. Argument I & II are invalid.
4. Only II is invalid.

- 1
- 2
- 3
- 4

Question No. 5

4.00

Bookmark

If the given interchanges are made in sign and numbers, which one of the four equations would be correct?

Interchanges - Signs - and x
- Numbers 3 and 6

- A. $6 - 3 \times 2 = 9$
- B. $6 \times 3 - 4 = 15$
- C. $3 \times 6 - 4 = 33$
- D. $3 - 6 \times 8 = 10$

Choose the most appropriate answer from the options given below:

- 1. A
 - 2. B
 - 3. C
 - 4. D
- 1
 2
 3
 4 (Chosen Option)

Question No. 6

4.00

Bookmark

A girl leaves her home and walks 30 mt towards north. She turns clockwise by 45° and walks 30 meter. Then she turns anti-clockwise by 45° and walks 30 meter. Then she turns by 90° towards her left and walks 60 meter. There she turns towards her home. In which direction is she walking?

- 1. South
 - 2. South East
 - 3. North East
 - 4. North West
- 1 (Chosen Option)
 2
 3
 4

Question No. 7

4.00

Bookmark

A is the son of B, whose mother is C. D is the husband of E the grand-daughter of C. If F is the wife of A, how is F's father-in-law related to D's daughter ?

- 1. Brother
 - 2. Uncle
 - 3. Grand father
 - 4. Cousin
- 1
 2

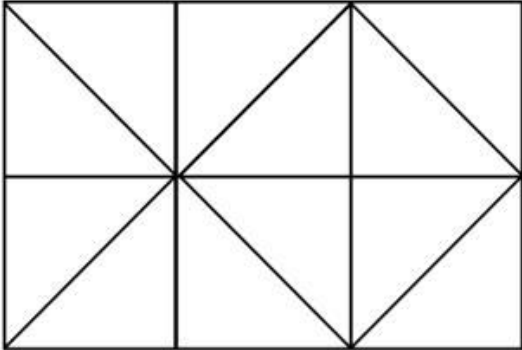
- 3 (Chosen Option)
- 4

Question No. 8

4.00

Bookmark

How many squares does the figure have?



1. 6
2. 9
3. 8
4. 10

- 1
- 2 (Chosen Option)
- 3
- 4

Question No. 9

4.00

Bookmark

Deepti was walking with her husband Rajiv. They met a Woman Milli. Deepti introduced Milli to Rajiv and said "Her brother's father is the only son of my Grandfather." How is Deepti related to Milli?

1. Sister in law
2. Mother
3. Sister
4. Daughter

- 1
- 2
- 3 (Chosen Option)
- 4

Question No. 10

4.00

Bookmark

If 'All sweet things are fluids' and 'Some fluids are coloured things', then it implies –

- A. Some sweet things are coloured things
- B. Some sweet things are fluids
- C. All fluids are sweet things
- D. Some fluids are sweet things

Choose the *most appropriate* answer from the options given below:

- 1. A, B and C only
- 2. A and C only
- 3. B, C and E only
- 4. A, C and E only

- 1
- 2
- 3
- 4

Question No. 11

4.00

Bookmark

Some students were sitting in a row. Sheela was sitting 12th from right and Veena was sitting 3rd from left. There were 15 students in between Sheela and Veena. How many students were sitting.

- 1. 30
- 2. 29
- 3. 31
- 4. 28

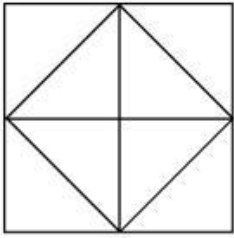
- 1 (Chosen Option)
- 2
- 3
- 4

Question No. 12

4.00

Bookmark

Count the number of triangles in the following figure.



1. 8
 2. 12
 3. 9
 4. 14
- 1
 2 (Chosen Option)
 3
 4

Question No. 13

4.00

Bookmark

Find the next term in the series
CAT, EER, GIP, _____ KUL

1. JOM
 2. ION
 3. LNM
 4. KLP
- 1
 2 (Chosen Option)
 3
 4

Question No. 14

4.00

Bookmark

If RASCAL is written as -22, then SIMPLE is written as

1. -14
 2. -8
 3. 10
 4. 16
- 1 (Chosen Option)
 2
 3
 4

Question No. 15

4.00

Bookmark

Find the odd one among the following:

1. Chapter
2. Contents
3. Exercise
4. Book

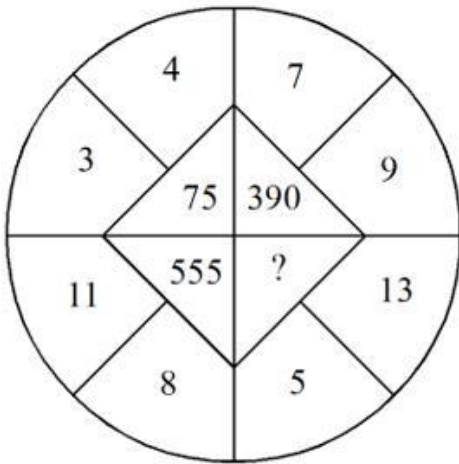
- 1
 2
 3
 4

Question No. 16

4.00

Bookmark

Find the missing number from the given alternatives.



1. 194
2. 324
3. 582
4. 525

- 1
 2
 3
 4

Question No. 17

4.00

Bookmark

Few men were sitting in a row facing north in a row.

Sunil is 16th to the left of Ram, who is 18th from the right. Jack is 11th from left and is also 4th to the right of Sunil. How many men were sitting in a row.

1. 36
2. 38
3. 42
4. 40

- 1
- 2
- 3
- 4 (Chosen Option)

Question No. 18

4.00

Bookmark

Given below are two statements: one is labelled as Assertion A and the other is labelled as Reason R.

Assertion A: Celebrity endorsements add to the brand value and sale of the products.

Reason R: Most celebrity are rich enough to afford the best technology and products in any given category.

In the light of the above statements, choose the most appropriate answer from the options given below:

1. Both A and R are correct and R is the correct explanation of A.
2. Both A and R are correct and R is NOT the correct explanation of A.
3. A is correct but R is incorrect
4. A is incorrect but R is correct.

- 1
- 2
- 3
- 4

Question No. 19

4.00

Bookmark

The following question consists of a statement and argument I and II. Choose the best option.

Statement: Should smoking be prohibited.

Argument I: Yes, it is wrong to smoke away millions of money.

Argument II: No, it will throw thousands of workers in tobacco industry out of employment.

1. Only argument I is strong
2. Only argument II is strong
3. Neither argument I nor argument II is strong
4. Both arguments I and II are strong.

- 1
- 2
- 3
- 4

Question No. 20

4.00

Bookmark

There is certain relationship between two given words on one side of : : and another word is given on the other side of : : find the other word from the given alternatives having a same relation with this word as the words of the given pair.

Foot : Strateboard : : Oar

1. Fishing
2. Rowboat
3. Sailing
4. Pedal Boat

- 1
 2
 3
 4

3) Language Comprehension

Question No. 1

4.00

Bookmark

Identify the appropriate direct speech form of the following sentence:

He greeted me and asked where I was going.

1. He asks, "Hello! where are you going?"
2. He asked, "Hello, where you are going?"
3. He said, "Hello, where you are going."
4. He said, "Hello! Where are you going?"

- 1
 2
 3
 4

Question No. 2

4.00

Bookmark

Pick the appropriate category for the following sentence:

"A horse! a horse! My kingdom for a horse!"

1. Simple
2. Assertive
3. Affirmative
4. Exclamatory

- 1
 2
 3
 4

Question No. 3

4.00

Bookmark

Choose the most appropriate option to complete the sentence:
A person who does not eat any animal product is called _____.

1. Veggie
2. Vegan
3. Herbivore
4. Vegetarian

- 1
 2 (Chosen Option)
 3
 4

Question No. 4

4.00

Bookmark

Choose the appropriate question form for the statement given below:

Statement given below:

Yes, it does.

1. Does it rain in winter?
2. Is it raining in winter?
3. Did it rain in winter?
4. What happens in winter?

- 1
 2
 3
 4

Question No. 5

4.00

Bookmark

Pick the most appropriate auxiliary verb to fill in the blank:

CCTV _____ been used for many years for the surveillance of public areas associated with obvious risk.

1. is
2. are
3. has
4. have

- 1
 2
 3
 4

Question No. 6

4.00

Bookmark

Pick the most appropriate option from below:

The expression, "he is laboring under the delusion of a serious nature", suggests that:

1. He is mentally unfit but working
2. He is in delirium
3. He is committing a mistake
4. He is seriously ill

- 1
 2
 3
 4

Question No. 7

4.00

Bookmark

Choose the most appropriate option to correct the given sentence:

Ghana is a seaport in gulf at Guinea.

1. Ghana is the seaport in gulf of Guinea.
2. Ghana is the seaport at gulf of Guinea.
3. Ghana is the seaport on gulf of Guinea.
4. The Ghana is a seaport in gulf of Guinea.

- 1
 2
 3
 4

Question No. 8

4.00

Bookmark

Choose the most appropriate option to correct the given sentence:

Radha is as cleverer as Sudha.

1. Radha is as clever as Sudha is clever.
2. Radha is as clever as Sudha.
3. Radha and Sudha are both cleverer.
4. Sudha is much more cleverer than Radha.

- 1
 2
 3
 4

Question No. 9

4.00

Bookmark

Pick the correct order of the sentences to form a comprehensive paragraph:

- A. A cat does not seem to be capable of the personal devotion often shown by a dog.
- B. A dog will follow his master anywhere, but a cat keeps to the house it is used to; and even when the house changes hands, the cat will remain there, so long as it is kindly treated by the new owners.
- C. There is some truth in the common saying that while dogs become attached to persons, cats are generally attached to places.
- D. It thinks most of its own comforts, and its love is only cupboard love.

Choose the *most appropriate* answer from the options given below:

- 1. A, B, C, D
 - 2. B, C, D, A
 - 3. C, B, A, D
 - 4. C, D, B, A
- 1
- 2
- 3
- 4

Question No. 10

4.00

Bookmark

"Gandhi's greatest challenge was post-truth. The Indian social universe was overflowing with ways of living established by the powerful that inevitably oppressed the powerless. In order to tackle this inequality, Gandhi changed the understanding of truth that the powerful had inherited and internalized. He dislodged truth from its long-held theological location of an ultimate divine compassion. Only goodness mattered. If that quality could be inculcated, truth would take care of itself."

Which of the following notions is compatible with Gandhi's idea of Truth?

- A. Truth is inherited and internalized
- B. Truth is ultimate divine revelation
- C. Truth is a byproduct of honesty, humanism and compassion
- D. Truth directly corresponds with goodness

Choose the correct answer from the options given below:

- 1. A, B only
 - 2. A, C only
 - 3. B, C only
 - 4. C, D only
- 1
- 2
- 3
- 4

Question No. 11

4.00

Bookmark

"Gandhi's greatest challenge was post-truth. The Indian social universe was overflowing with ways of living established by the powerful that inevitably oppressed the powerless. In order to tackle this inequality, Gandhi changed the understanding of truth that the powerful had inherited and internalized. He dislodged truth from its long-held theological location of an ultimate divine compassion. Only goodness mattered. If that quality could be inculcated, truth would take care of itself."

In the given passage, the term "inevitably" connotes _____.

1. Uncertainty
2. Impossibility
3. Certainty
4. Possibility

- 1
 2
 3
 4

Question No. 12

4.00

Bookmark

"Gandhi's greatest challenge was post-truth. The Indian social universe was overflowing with ways of living established by the powerful that inevitably oppressed the powerless. In order to tackle this inequality, Gandhi changed the understanding of truth that the powerful had inherited and internalized. He dislodged truth from its long-held theological location of an ultimate divine compassion. Only goodness mattered. If that quality could be inculcated, truth would take care of itself."

Given below are two statements: one is labelled as Assertion A and the other is labelled as Reason R

Assertion A: Gandhi, in his experiment with truth, dislodged truth as an ultimate divine revelation.

Reason R: He holds that truth can be substituted with goodness, and people can manage without truth.

In the light of the above statements, choose the most appropriate answer from the options given below

1. Both A and R are correct and R is the correct explanation of A
2. Both A and R are correct but R is NOT the correct explanation of A
3. A is correct but R is not correct
4. A is not correct but R is correct

- 1
 2
 3

4

Question No. 13

4.00

Bookmark

Pick the antonym of the word “adroit” from the options given below:-

1. Amateur
2. Deft
3. Expert
4. Skilled

1
 2
 3
 4

Question No. 14

4.00

Bookmark

Match List I with List II.

LIST I (Phrasal Verbs)		LIST II (Meanings)	
A.	Run across	I.	To lose power or stop working
B.	Run down	II.	To meet or find by chance
C.	Run into	III.	To continue without stopping
D.	Run on	IV.	To meet by chance

Choose the *most appropriate* answer from the options given below:

1. A-I, B-II, C-III, D-IV
2. A-II, B-I, C-IV, D-III
3. A-III, B-IV, C-I, D-II
4. A-IV, B-II, C-III, D-I

1
 2
 3
 4

Question No. 15

4.00

Bookmark

Pick the appropriate meaning of the expression “Modus Operandi”:

1. Training of surgery
2. Manner of doing things
3. Rules of stage presentation
4. Mode of travelling

1
 2

- 3
 4

Question No. 16

4.00

Bookmark

The expression “well done!” means:

- A. That was well done
 B. You would have done well
 C. You have done well
 D. You will do well

Choose the *most appropriate* answer from the options given below:

1. A, B only
 2. A, C only
 3. A, B, D only
 4. B, C, D only

- 1
 2
 3
 4

Question No. 17

4.00

Bookmark

Complete the sentence in List I by choosing the appropriate phrase from List II

LIST I		LIST II	
A.	He succeed ----- perseverance and sheer hard work.	I.	In lieu of
B.	He died fighting ----- his country	II.	In spite of
C.	He persevered ----- difficulties.	III.	on behalf of
D.	He accepted the car ----- his claim of Rs. 3,25,000.	IV.	by dint of

Choose the most appropriate answer from the options given below:

1. A-I, B-II, C-III, D-IV
 2. A-II, B-III, C-IV, D-I
 3. A-III, B-IV, C-I, D-II
 4. A-IV, B-III, C-II, D-I

- 1
 2
 3
 4

Question No. 18

4.00

Pick synonyms of the word "shirk":

- A. Avoid
- B. Escape
- C. Evade
- D. Oppose

Choose the *most appropriate* answer from the options given below:

- 1. A, B only
- 2. A, C only
- 3. A, B, C only
- 4. B, C, D only

- 1
- 2
- 3
- 4

Question No. 19

4.00

Bookmark

"Poetry is the language of the imagination and the passions. It relates to whatever gives immediate pleasure or pain to the human mind. It comes home to the bosoms and business of men; for nothing but what comes home to them in the most general and intelligible shape can be a subject for poetry. Poetry is the universal language which the heart holds with nature and itself. He who has a contempt for poetry cannot have much respect for himself, or for anything else. Wherever there is a sense of beauty, or harmony, as in the motion of a wave of the sea, in the growth of a flower, there is poetry in its birth."

Which of the following expressions duly correspond with the given passage:

- A. Poetry ensures for the immediate pleasure and pain experienced by the creative mind.
- B. It revolves around the general and intelligible feelings of the people.
- C. A contempt for poetry and self-respect are mutually compatible.
- D. It unavoidably relates to mankind's sense of beauty, power and harmony.

Choose the correct answer from the options given below:

- 1. A, B, C only
- 2. A, B, D only
- 3. A, C, D only
- 4. B, C, D only

- 1
- 2
- 3
- 4

Question No. 20

4.00

Bookmark

To Ratanbabu, the hotel seemed quite adequate. His room wasn't large, but that didn't matter. There were windows to the east and the south with pleasant views of the country side. The servant Pancha seemed an amiable sort. Ratanbabu was in the habit of bathing twice a day in tepid water throughout the year and Pancha had assured him that there would be no trouble about that.

In the given passage, the phrase "tepid water" means:

1. Steaming hot water
2. Ice - cold water
3. Luke - warm water
4. Running water

- 1
 2
 3
 4

4) General Awareness

Question No. 1

4.00

Bookmark

At constant temperature the volume of a definite mass of a gas is Inversely Proportional to Pressure is known as?

1. Avogadro's gas law
2. Charle's Law
3. Boyle's Law
4. Gay-Lussac's Law

- 1
 2
 3
 4

Question No. 2

4.00

Bookmark

_____ of Indian Constitution deals with the 22 languages recognised by the Constitution.

1. 10th Schedule
2. 8th Schedule
3. 11th Schedule
4. 12th Schedule

- 1
 2
 3
 4

Question No. 3

4.00

Bookmark

- A. Kajri is a folk dance of Uttar Pradesh.
- B. Kuchipudi is a folk dance of Kerala.
- C. Kathakali is a folk dance of Kerala.
- D. Chakari is a folk dance of Uttar Pradesh.
- E. Ghapal is a folk dance of Rajasthan

Choose the most appropriate answer from the options given below:

- 1. A, B and C only
- 2. B, C and D only
- 3. A, C and E only
- 4. A, C and D only

- 1
- 2
- 3
- 4

Question No. 4

4.00

Bookmark

The chemical name of the laughing gas is?

- 1. Nitrogen dioxide
- 2. Nitric oxide
- 3. Nitrogen peroxide
- 4. Nitrous oxide

- 1
- 2
- 3
- 4

Question No. 5

4.00

Bookmark

Match List I with List II

LIST I		LIST II	
Disease		Affected Organ	
A.	Herpes	I.	Thyroid Gland
B.	Rabies	II.	Defensive System Lymphocytes
C.	Aids	III.	Nervous System
D.	Goitre	IV.	Skin

Choose the most appropriate answer from the options given below:

1. A-III, B-II, C-IV, D-I
2. A-IV, B-III, C-II, D-I
3. A-II, B-IV, C-III, D-I
4. A-III, B-II, C-IV, D-I

- 1
 2
 3
 4

Question No. 6

4.00

Bookmark

Match List I with List II

LIST I		LIST II	
A.	Khilafat Movement	I.	1931
B.	Partition of Bengal by Lord Curzon	II.	1942
C.	Arrival of Cripps Mission to India	III.	1920
D.	Gandhi – Irwin Act	IV.	1905

Choose the most appropriate answer from the options given below:

1. A-IV, B-III, C-I, D-II
2. A-III, B-II, C-I, D-IV
3. A-III, B-I, C-IV, D-II
4. A-III, B-IV, C-II, D-I

- 1
 2
 3
 4

Question No. 7

4.00

Bookmark

Match List I with List II

LIST I	LIST II
A. R. K. Narayan	I. Dreams from My Father
B. Arundhati Rai	II. Malgudi Days
C. Ramchandra Guha	III. God of Small Things
D. Barack Obama	IV. A Corner of a Foreign Field

Choose the most appropriate answer from the options given below:

1. A-IV, B-I, C-III, D-II
2. A-II, B-III, C-IV, D-I
3. A-III, B-I, C-IV, D-II
4. A-I, B-IV, C-II, D-III

- 1
 2
 3
 4

Question No. 8

4.00

Bookmark

Kanha National Park is situated in _____?

1. Assam
2. Uttar Pradesh
3. Tamil Nadu
4. Madhya Pradesh

- 1
 2
 3
 4

Question No. 9

4.00

Bookmark

Who defeated Rani Lakshmi Bai in her last Battle?

1. Lord Canning
2. Palmerson
3. Sir Hugh Rose
4. Warren Hasting

- 1
 2
 3
 4

Question No. 10

4.00

Bookmark

Match List I with List II

	LIST I Country		LIST II Capital
A.	Austria	I.	Kiev
B.	Canada	II.	Vienna
C.	Ukraine	III.	Helsinki
D.	Finland	IV.	Ottawa

Choose the most appropriate answer from the options given below:

1. A-II, B-IV, C-III, D-I
2. A-IV, B-II, C-III, D-I
3. A-IV, B-II, C-I, D-III
4. A-II, B-IV, C-I, D-III

- 1
 2
 3
 4

Question No. 11

4.00

Bookmark

Who was the Chief of the Naval Staff in the year 2022 (November)?

1. Mr. Anil Chauhan
2. Mr. R. Hari Kumar
3. Mr. Manoj Pande
4. Mr. Vivek Ram Chaudhari

- 1
 2
 3
 4

Question No. 12

4.00

Bookmark

Match List I with List II

LIST I New Currency Bank Notes		LIST II Image on the back side of Note	
A.	₹ 500	I.	Ran Ki Vav
B.	₹ 50	II.	Sanchi Stupa
C.	₹ 200	III.	Hampi with Chariot
D.	₹100	IV.	Red Fort

Choose the most appropriate answer from the options given below:

1. A-I, B-II, C-IV, D-III
2. A-III, B-I, C-II, D-IV
3. A-IV, B-III, C-II, D-I
4. A-II, B-IV, C-I, D-III

- 1
 2
 3
 4

Question No. 13

4.00

Bookmark

Arrange the following constitutional provisions according to the schedules in which they are in Ascending order of occurrence.

- A. Union List, State List and concurrent List
- B. Allocation of seats to states and union territories in Rajya Sabha
- C. Provision as to administration and control of Scheduled Areas
- D. Validation of certain acts and regulations
- E. List of states and union territories and their respective territories

Choose the most appropriate answer from the options given below:

1. C, B, E, A, D
2. E, D, A, C, B
3. E, B, C, A, D
4. D, A, B, C, E

- 1
 2
 3
 4

Question No. 14

4.00

Bookmark

In Commonwealth Games 2022, held in _____, the country that topped the medals tally was _____.

1. England, Canada
2. England, Australia
3. Australia, England
4. Canada, England

- 1
 2
 3
 4

Question No. 15

4.00

Bookmark

Match List I with List II

LIST I Inventions	LIST II Inventors
A. Lift	I. Alfred Nobel
B. Radium	II. C. Biro
C. Ball-Point-Pen	III. Marrie and Pierre Currie
D. Dynamite	IV. E.G Otis

Choose the most appropriate answer from the options given below:

1. A-II, B-IV, C-I, D-III
2. A-IV, B-III, C-II, D-I
3. A-III, B-I, C-II, D-IV
4. A-IV, B-I, C-II, D-III

- 1
 2
 3
 4

Question No. 16

4.00

Bookmark

Which strait separates India from Sri Lanka?

1. Coco Strait
2. Palk Strait
3. Malacca Strait
4. Bering Strait

- 1
 2
 3
 4

Question No. 17

4.00

Bookmark

Given below are two statements:

Statement I: Pegasus is a spyware which can be installed on mobile phones (and other devices) and can steal information like passwords, messages, contacts, calendar details and even voice calls.

Statement II: It is developed by American cyber arms company NSO group and is being used for spying senior Government Officials.

In the light of the above statements, choose the most appropriate *answer* from the options given below:

1. Both Statement I and Statement II are correct
2. Both Statement I and Statement II are incorrect
3. Statement I is correct but Statement II is incorrect
4. Statement I is incorrect but Statement II is correct

- 1
 2
 3
 4

Question No. 18

4.00

Bookmark

Given below are two statements:

Statements I: The Indus river system comprises Chenab, Jhelum and Beas.

Statements II: The Ganga river system comprises Ravi, Sutlej and Krishna.

In the light of the above statements, choose the most appropriate answer from the options given below.

1. Both Statements I and Statement II are correct
2. Both Statement I and Statement II are incorrect
3. Statement I is correct but Statement II is incorrect
4. Statement I is incorrect but Statement II is correct

- 1
 2
 3
 4

Question No. 19

4.00

Bookmark

Which poisonous gas leaked in Bhopal Tragedy in December 1984?

1. Methyl Isocyanate
2. Antimony Hydride
3. Nitrogen Oxide
4. Acetyl Fluoride

- 1

- 2
- 3
- 4

Question No. 20

4.00

Bookmark

Given below are two statements:

Statement I: Gross Domestic Product (GDP) is the final value of the goods and services produced within the geographical boundaries of a country during a year.

Statement II: GDP equals the Net Domestic Product (NDP) plus depreciation (Value of loss of an asset) on country's capital goods.

In the light of the above statements, choose the most appropriate answer from the options given below

1. Both Statement I and Statement II are correct
2. Both Statement I and Statement II are incorrect
3. Statement I is correct but Statement II is incorrect
4. Statement I is incorrect but Statement II is correct

- 1
- 2
- 3
- 4

5) INNO AND ENTRE**Question No. 1**

4.00

Bookmark

Which of the following characteristics belong to the low-end disruptive innovation?

1. It makes food products into better products
2. It delivers products at lower cost
3. It targets non consumption
4. It improves profit margins

- 1
- 2
- 3
- 4

Question No. 2

4.00

Bookmark

Following are the reasons of failure of entrepreneurial venture.

- A. Lack of market research
- B. Poor financial control
- C. Poor management
- D. Gender of the entrepreneur
- E. Caste of the entrepreneur

Choose the correct answer from the options given below:

- 1. A, B, D and E are correct reasons of failure of entrepreneurial venture
- 2. A, C, D and E are correct reasons of failure of entrepreneurial venture
- 3. A, B, C are correct reasons of failure of entrepreneurial venture
- 4. B, D, and E are correct reasons of failure of entrepreneurial venture

- 1
- 2
- 3
- 4

Question No. 3

4.00

Bookmark

The term 'entrepreneur' has been from:

- 1. English verb
- 2. Greek verb
- 3. Italic verb
- 4. French verb

- 1
- 2
- 3
- 4

Question No. 4

4.00

Bookmark

Given below are two statements:

Statement I: Urbanization around the world is an opportunity to innovate.

Statement II: Urbanization around the world is an issue because of overpopulation.

In the light of the above statements, choose the most appropriate answer from the options given below:

- 1. Both Statement I and Statement II are correct
- 2. Both Statement I and Statement II are incorrect
- 3. Statement I is correct but Statement II is incorrect
- 4. Statement I is incorrect but Statement II is correct

- 1
- 2
- 3
- 4

Question No. 5

4.00

Bookmark

Nascent entrepreneur is a person:

1. Who makes a company
2. Who is in the process of starting a new business
3. Who is the first in his family to starts an industry with innovative idea and skill
4. Who is first in his family to complete a course in entrepreneurship development

- 1
- 2
- 3
- 4

Question No. 6

4.00

Bookmark

Angel investors are considered to be opposite of:

1. Arbitrageurs
2. Global investors
3. Hedge funds
4. Venture capitalists

- 1
- 2
- 3
- 4

Question No. 7

4.00

Bookmark

Following are the stages of design thinking.

- A. Ideate
- B. Test
- C. Prototype
- D. Empathize
- E. Define

Choose the *most appropriate* answer that shows right sequence of stages from the options given below:

- 1. E, A, B, D, C
 - 2. D, E, A, C, B
 - 3. A, E, B, C, D
 - 4. B, C, E, A, D
- 1
- 2
- 3
- 4

Question No. 8

4.00

Bookmark

The steps involved in project approval are as follows:

- A. Carrying out a detailed project analysis
- B. Developing infrastructure prototype for project development
- C. Generating a business idea
- D. Performing a project specific factor analysis
- E. Conducting a free-feasibility analysis

Choose the *most appropriate* answer from the options given below that shows right sequence

- 1. D, E, A, C, B
 - 2. E, A, C, B, D
 - 3. A, B, C, D, E
 - 4. C, D, E, A, B
- 1
- 2
- 3
- 4

Question No. 9

4.00

Bookmark

An innovative taken by Atal Initiative Mission with a purpose to encourage curiosity and innovation in young talent is:

1. Atmanirbhar Bharat
2. Atal Tinkering Lab
3. Atal New India Challenge
4. Atal Incubation Centre

- 1
 2
 3
 4

Question No. 10

4.00

Bookmark

The goals should be _____ for the success of the business plan.

1. Generalized
2. Specific
3. Limitless
4. Imaginary

- 1
 2
 3
 4

Question No. 11

4.00

Bookmark

Given below are two statements: one is labelled as Assertion A and the other one is labelled as Reason R.

Assertion A: Industrial Development Bank of India (IDBI) caters the financial needs of the budding industries.

Reason R: Financial constraint is one of the biggest reasons of business failures in entrepreneurship and there is need to provide financing support to them.

In the light of the above statements, choose the most appropriate answer from the options given below:

1. Both A and R are correct and R is the correct explanation of A
2. Both A and R are correct and R is the NOT the correct explanation of A
3. A is correct but R is not correct
4. A is not correct but R is correct

- 1
 2
 3
 4

Question No. 12

4.00

Bookmark

Given below are two statements:

Statement I: Venture capital firms are usually organized as limited partnership.

Statement II: Venture capitalist is a money manager who is involved in making risk investments from equity capital with the objective of gaining better returns.

In the light of the above statements, choose the most appropriate answer from the options given below:

1. Both Statement I and Statement II are correct
2. Both Statement I and Statement II are incorrect
3. Statement I is correct but Statement II is incorrect
4. Statement I is incorrect but Statement II is correct

- 1
 2
 3
 4

Question No. 13

4.00

Bookmark

Given below are two statements:

Statement I: Family businesses are always interested to handover the charge of their business to next generation.

Statement II: Most of the start-up originate from the established family business.

In the light of the above statements, choose the most appropriate answer from the options given below:

1. Both Statement I and Statement II are correct
2. Both Statement I and Statement II are incorrect
3. Statement I is correct but Statement II is incorrect
4. Statement I is incorrect but Statement II is correct

- 1
 2
 3
 4

Question No. 14

4.00

Bookmark

Buying and selling of manufactured goods are related to which entrepreneur?

1. Novice entrepreneur
2. Portfolio entrepreneur
3. Trading entrepreneur
4. Drone entrepreneur

- 1
 2
 3
 4

Question No. 15

4.00

Bookmark

Estimating and financing funds requirement schemes are offered by:

- A. Various commercial banks
- B. Industrial Development Bank of India (IDBI)
- C. Industrial Credit and Investment Corporation of India (ICICI)
- D. Small Industries Development Bank of India (SIDBI)
- E. Reserve Bank of India

Choose the *most appropriate* answer from the options given below:

- 1. A, B, D and E holds true
 - 2. A, C, D and E holds true
 - 3. A, B, C and D holds true
 - 4. B, D and E holds true
- 1
 - 2
 - 3
 - 4

Question No. 16

4.00

Bookmark

Following are the conventional stages of startup funding:

- A. Initial Public Offer (IPO) issue
- B. Procurement of mezzanine financing
- C. Venture capital funding
- D. Angel Investor financing
- E. Seed capital acquisition

Choose the *most appropriate* answer from the options given below that shows right sequence

- 1. A, E, D, C, B
 - 2. D, E, A, B, C
 - 3. A, B, E, C, D
 - 4. E, D, C, B, A
- 1
 - 2
 - 3
 - 4

Question No. 17

4.00

Bookmark

Diffusion of Innovation theory is associated with:

1. Peter Drucker
2. Schumpeter
3. Everett Rogers
4. Fredrick Taylor

- 1
 2
 3
 4

Question No. 18

4.00

Bookmark

_____ means identifying and imitating the best in the world at specific tasks and function.

1. Benchmarking
2. Outsourcing
3. Quality circle
4. Continuous improvement

- 1
 2
 3
 4

Question No. 19

4.00

Bookmark

An important area of concern for innovative entrepreneurs in financing of projects is raising the:

1. Development capital
2. Human capital
3. Structured capital
4. Seed capital

- 1
 2
 3
 4

Question No. 20

4.00

Bookmark

Given below are two statements: one is labelled as Assertion A and the other one is labelled as Reason R.

Assertion A: AICTE, UGC, NITI AAYOG and commercial banks are coming up with many offerings to promote entrepreneurship.

Reason R: Government wants to develop pro-entrepreneurship and supporting environment in the country.

In the light of the above statements, choose the most appropriate answer from the options given below:

1. Both A and R are correct and R is the correct explanation of A
2. Both A and R are correct and R is the NOT the correct explanation of A
3. A is correct but R is not correct
4. A is not correct but R is correct

- 1
 2
 3
 4