

**SBI PO Pre 2023 Exam
Memory Based Questions
Paper
4th November 2023
Download PDF (In English)**

Direction: Study the following information carefully and answer the following question.

Eight people i.e., A, B, C, D, E, F, G and H are born in eight different years i.e., 1959, 1963, 1968, 1970, 1974, 1987, 1988 and 1997 but not necessarily in the same order. The age is calculated according to the year 2023. Difference between the ages of B and G is 9. B is younger than G. Only one person was born between B and A. H is 11 years older than C. D was born between C and A. E is younger than F.

1. What is the age of E?
 - A. 53
 - B. 55
 - C. 35
 - D. 36
 - E. None of these

2. What is the sum of the ages of C and B?
 - A. 108
 - B. 88
 - C. 79
 - D. 59
 - E. None of these

3. How many people were born between D and H?
 - A. Three
 - B. One
 - C. None
 - D. Two
 - E. Four

4. Which amongst the following is 60 years old?
 - A. C
 - B. E
 - C. F
 - D. A
 - E. None of these

5. How many people were born after C?
 - A. Three
 - B. One
 - C. None
 - D. Four
 - E. Two

Direction: Study the following information carefully and answer the following questions.

Twelve people are sitting in two parallel rows. A, B, C, D, E, F are sitting in row - 1 and facing south and P, Q, R, S, T, U are sitting in row - 2 and facing north such that the people sitting in row - 1 are sitting opposite to the people sitting in row - 2. All the information is not necessarily in the same order.

Two people sit between B and E. B sits at the extreme end. P sits second to the right of the one who faces E. Three people sit between P and U. Two people sit between A and the one who faces U. F sits third to the right of the one who faces Q. R sits second to the left of the one who faces C. S sits at the extreme end of the row. C does not sit at the extreme end.

6. Who sits to the immediate left of the one who sits opposite to E?

- A. P
- B. Q
- C. T
- D. U
- E. None of these

7. What is the position of D with respect to the one who sits opposite to P?

- A. Second to the left
- B. Third to the right
- C. Immediate left
- D. Immediate right
- E. None of these

8. How many people sit to the left of C?

- A. Two
- B. Three
- C. None
- D. Four
- E. One

9. Who sits opposite to the one who sits third to the left of S?

- A. B
- B. C
- C. E
- D. A
- E. None of these

10. Four of the following five are alike in a certain way and hence form a group. Which amongst the following does not belong to that group?

- A. U
- B. Q
- C. F
- D. B
- E. S

Direction: In the question below are given three statements followed by the conclusions. You have to take the given statements to be true even if they seem to be at variance with commonly known facts. Read all the conclusions and then decide which of the given conclusions logically follows from the given statements disregarding commonly known facts.

11. Statements:

Only a few Silver are Golden.
All Golden are Platinum.
All Platinum are Iron.

Conclusions:

- I. Some Platinum are Silver
- II. Some Iron are not Silver
- A. Only I follows
- B. Only II follows
- C. Either I or II follows
- D. Neither I nor II follows
- E. Both I and II follow

12. Statements:

No Months are Years.
All Years are Days.
Only a few Days are Dates.

Conclusions:

- I. Some Years are Dates
- II. No Years are Dates
- A. Only I follows
- B. Only II follows
- C. Either I or II follows
- D. Neither I nor II follows
- E. Both I and II follow

13. Statements:

Only a few Friends are Relatives.

All Relatives are Family.

No Family is Parent.

Conclusions:

I. Some Friends are not Relatives

II. No Relatives are Parents

A. Only I follows

B. Only II follows

C. Either I or II follows

D. Neither I nor II follows

E. Both I and II follow

Directions: In each question, a part of the sentence is made bold. Below are given alternatives to the bold part at (A), (B), (C) and (D) which may improve the sentence. Choose the correct alternative. In case no replacement is needed, mark (E) as your answer.

14. "The cityscape was modern and urban."

A. urbane

B. rural

C. Bustling

D. urban

E. Metropolitan

15. Due to his alcoholism and vicious temper, the servants were always left to face the brunt of his terrifying antics.

A. left to serve the brunt of his terrifying antics.

B. left to hold the brunt of his terrifying antics.

C. left to bear the brunt of his terrifying antics.

D. left to feel the brunt of his terrifying antics.

E. No correction is required.

16. The concert is tonight. If he finishes his work early today, he will attend.

A. The concert is tonight, and he finished his work early today, so he will attend.

B. The concert is tonight, so if he finishes his work early today, he will attend.

C. The concert is tonight, and he finishes his work early today, so he will attend.

D. The concert is tonight. He finishes his work early today, so he will attend.

E. The concert is tonight, so he finishes his work early today and he will attend.

17. "She was determined to succeed against all odds."

- A. overcome all odds."
- B. to prevail against all odds
- C. to achieve against all odd
- D. to accomplish against all odds
- E. No Correction Required.

18. What is a synonym for 'ran'?

- A. sprinted
- B. walked
- C. jumped
- D. strolled
- E. hopped

19. What is a synonym for 'associated'?

- A. affiliated
- B. separated
- C. Isolated
- D. disconnected
- E. detached

Directions: In the following question, some parts of the sentence may have errors. Find out which part of the sentence has an error and select the appropriate option. If a sentence is free from error, select 'No Error'.

20. "The burglar was taken to the nearby police station."

- A. The burglar
- B. was taken
- C. to the near
- D. police station
- E. No error

21. "The book on the shelf belongs to her."

- A. The book
- B. on the shelf
- C. belongs to
- D. her
- E. No error

22. I would always (A) / cherished the fond (B) / memories of (C) / our association. (D) / No error (E)

- A. A
- B. B
- C. C
- D. D
- E. E

23. During the hearing, the Bombay High Court had (a) raised the issue of the lack of necessary (b) allow that will (c) safeguards fair criticism of the government.

- A. A-B
- B. B-C
- C. A-D
- D. B-D
- E. All are correct

24. Which of the following words is an antonym of 'foster'?"

- A. Nurture
- B. support
- C. discourage
- D. promote
- E. cultivate

25. We all remember tales of how (A) / our grandparents' generation crossed rivers, (B) / walked long distances (C) / and braved unsafe paths to reached schools. (D) / No error (E)

- A. A
- B. B
- C. C
- D. D
- E. E

Direction: In the following number series, only one number is wrong. Find out the wrong number.

26. 17, 34, 85, 408, 2040

- A. 34
- B. 85
- C. 408
- D. 2040
- E. 17

27. 9, 8, 14, 39, 152, 760, 4524

- A. 760
- B. 152
- C. 39
- D. 4524
- E. 501

28. 23, 87, 212, 430, 771, 1283

- A. 87
- B. 212
- C. 430
- D. 771
- E. 1283

Direction: What should come in place of the question mark (?) in the following number series?

29. 4.72 , 6.16, 7.85 , 9.89 , 12.06 , ?

30. 123, 464 , ? , 1701, 2699

31. Two vessels A and B contain Milk and water mixed in the ratio 5 : 2 and 7 : 6 respectively. Find the ratio in which these mixtures are mixed to obtain a new mixture in vessel C containing milk and water in the ratio 8 : 5.

- A. 1 : 3
- B. 3 : 5
- C. 5 : 7
- D. 7 : 9
- E. None

32. Ramu save 6.25 % of his monthly salary. And of the remaining salary 33.33% and 50%, he gives to his mother and sister respectively and the remaining salary he submit as his EMI payment of his car. If monthly EMI was Rs. 8400 then find his monthly salary?

- A. Rs. 65120
- B. Rs.26880
- C. Rs. 53760
- D. Rs. 40480
- E. Rs. 67200

33. A sum of Rs. 1700, when invested in a scheme offering compound interest (compounded annually) for 2 years amounts to Rs. 4913. What is the rate of interest of the given scheme (in percent per annum)?

- A. 80
- B. 85
- C. 72.5
- D. 75
- E. 70

34. A boat covers a distance with downstream speed in T hours and same distance upstream in $T + 2.5$ hours . downstream speed is 18 km / hr and upstream speed is 12 km /hr . find the Value of T.

35. A sells an article at 20% profit and B sells another article at 200 less than its cost price. Cost price of both the articles is Rs 4400. If Selling price of both the articles of A and B are the same. Find the profit of A?

36. Age of A is 8 years less than B and age of C is 10 years more than B. If the ratio of Present age of A and C is 23:32. Find the total age of A and B after 2 years.

ANSWERS

1. Ans. B.

Year	Age	People
1959	64	H
1963	60	F
1968	55	E
1970	53	C
1974	49	D
1987	36	A
1988	35	G
1997	26	B

2. Ans. C.

Year	Age	People
1959	64	H
1963	60	F
1968	55	E
1970	53	C
1974	49	D
1987	36	A
1988	35	G
1997	26	B

3. Ans. A.

Year	Age	People
1959	64	H
1963	60	F
1968	55	E
1970	53	C
1974	49	D
1987	36	A
1988	35	G
1997	26	B

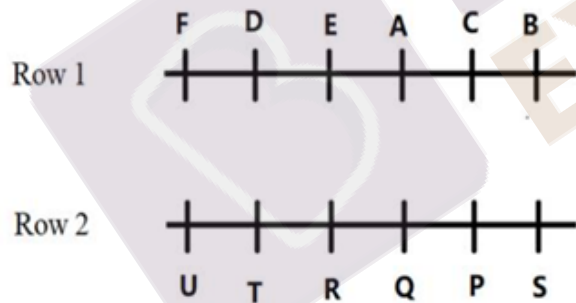
4. Ans. C.

Year	Age	People
1959	64	H
1963	60	F
1968	55	E
1970	53	C
1974	49	D
1987	36	A
1988	35	G
1997	26	B

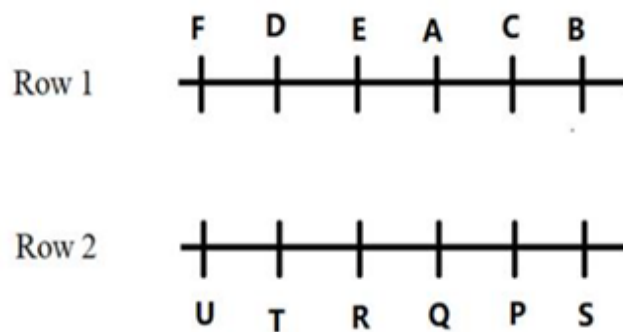
5. Ans. D.

Year	Age	People
1959	64	H
1963	60	F
1968	55	E
1970	53	C
1974	49	D
1987	36	A
1988	35	G
1997	26	B

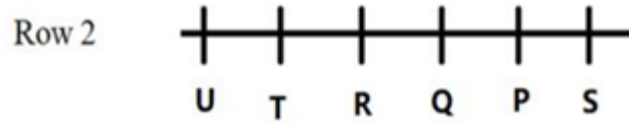
6. Ans. C.



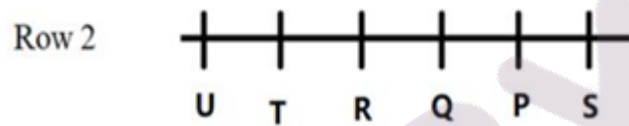
7. Ans. B.



8. Ans. E.



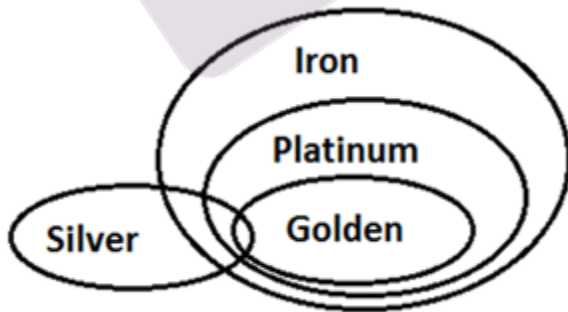
9. Ans. C.



10. Ans. B.



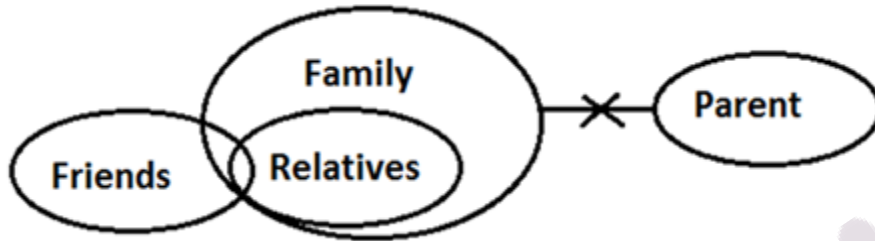
11. Ans. A.



12. Ans. C.



13. Ans. E.



14. Ans. A.

15. Ans. C.

16. Ans. B.

17. Ans. A.

18. Ans. A.

19. Ans. A.

20. Ans. C.

21. Ans. E.

22. Ans. B.

23. Ans. B.

24. Ans. C.

25. Ans. D.

to reach

26. Ans. B

The pattern of the series is: 85

27. Ans. A

The pattern of the series is: 760

28. Ans. C

The pattern of the series is: 430

29. *

30. *

31. Ans. D

32. Ans. C

33. Ans. E

34. *

35. *

36. *