

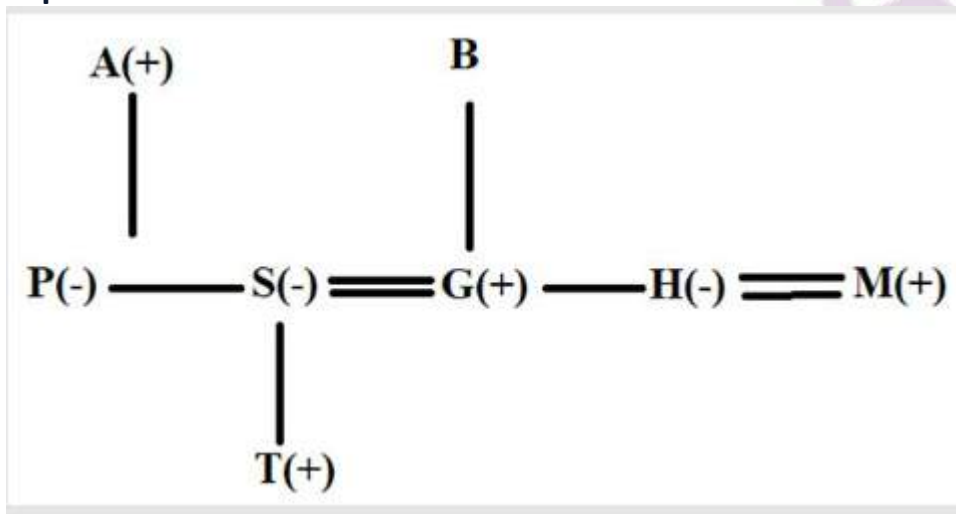
## Blood Relation CAT Questions

Question 1- What is the relation of G with respect to M?

- A. Son
- B. Father-in-law
- C. Brother-in-law
- D. Mother

Answer: Option C

Explanation:



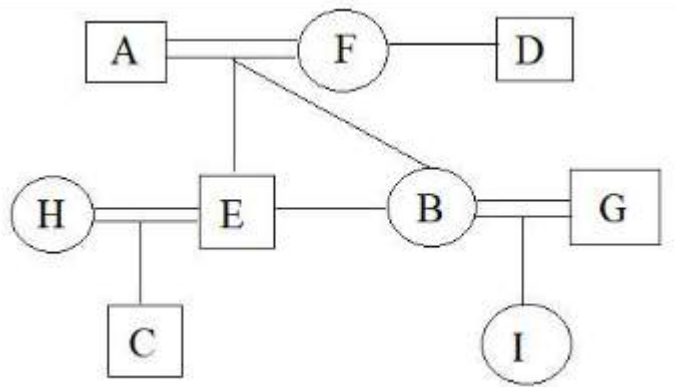
Direction- In a family of three generations and nine members, there are three married couples. It is known that either both or none of the parents of each member is alive. F is the only sister of D, who is an unmarried male. H is the daughter-in-law of F, who is married to A. E is the brother-in-law of G, who is married to E's sister. I is the daughter of B, who is the aunt of C.

Question 2- How many male members are there in the family?

- A. Four
- B. Three
- C. Two
- D. More Than Four

Answer: Option D

Explanation:



Direction: Study the following information and answer the given question.

A @ B means A is the daughter of B

A & B means A is the father of B

A \$ B means A is the brother of B

A # B means A is the husband of B

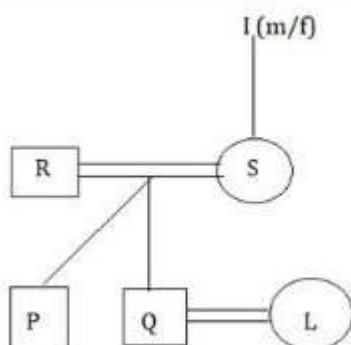
**Question 3 - Which of the following is false according to the given statement?**

**S@I, R&Q, P\$Q, Q#L, R#S**

- A. P is the brother of Q
- B. L is the daughter-in-law of R
- C. I is the mother of S
- D. R is the son-of-law of I

**Answer:** Option C

**Explanation:**



Direction: Study the data carefully and answer the questions accordingly.

There are eight members in a family with three generations and two married couples. There are more than three females. W is the father of R, who is the grandson of S. P is the father of J and M, who is the brother of T. J is the niece of U and aunt of R. The mother of T does not have a sibling.

**Question 4 - How S is related to J?**

- A. Uncle
- B. Brother
- C. Sister
- D. Mother

**Answer:** Option D

**Explanation:**

Symbol	Relation
+	Male
-	Female
—	Sibling
==	Couple
	Child

