

**SBI PO Prelims 2021**  
**Memory Based**  
**Questions Download**  
**PDF**  
**(In English)**

1. If a meaningful word can be formed using 2nd, 3rd, 5th and 7th letters of **MONOLOGUE**, what will be the third letter from the left of the newly formed word? If more than one word is formed, mark your answer as X. If no meaningful word can be formed, mark your answer as Z.

- A. O
- B. N
- C. G
- D. X
- E. Z

2. How many such pairs of letters are there in the word **EXECUTION** each of which has as many letters between them in the word in both forward and backward directions as in the English alphabet?

- A. Four
- B. Three
- C. None
- D. Two
- E. Five

**Direction: (3-4)** Study the data carefully and answer the questions accordingly.

C is the only sister of D. M is the brother-in-law of D. F is the father-in-law of G. B is the sister-in-law of G. B and C are unmarried. E is the son of D, who is the son-in-law of G.

3. If H married to G. Then what is the relation of H with F.

- A. Daughter-in-law
- B. Daughter
- C. son
- D. Father
- E. None of these

4. What is the relation of E with F?

- A. Grandson
- B. Son
- C. Daughter
- D. Daughter-in-law
- E. None of these

**Direction: (5-7)** Study the data carefully and answer the questions accordingly.

Six children have a different number of toffees. D has more numbers than that of A who has more toffee than only three children. F has more toffees than that of D. C does not have the least number of toffees. E has more toffees than that of B but less than C. Third least number of toffees is 48. Second highest number of toffees is 67.

5. If the sum of  $E+C = 82$  and sum of  $F+D = 150$ . What is the sum of the total number of toffees F and E have?

- A. 110
- B. 120
- C. 115
- D. 117
- E. None of these



**SBI PO 2021 Mains**  
A Special Course

START FREE TRIAL

6. How many people have more toffees than C?

- A. One
- B. Two
- C. Three
- D. Four
- E. Five

7. Find the correct statement.

- i) Only two children have more toffees than A.
  - ii) B has the second least number of toffees.
  - iii) F has the highest number of toffees.
- A. Only (i)
  - B. Only (i) and (ii)
  - C. Only (ii)
  - D. Only (i) and (iii)
  - E. All (i), (ii) and (iii)

**Direction: (8–10)** Study the data carefully and answer the questions accordingly.

There are a certain number of people sitting in a linear row facing north. Five people sit between D and Q. Five people sit between M and Q. M sits third from one end. S sits second to the right of F, who is not an immediate neighbor of R. Number of people sitting between Q and S is one less than the number of people sitting between R and N. N sits immediately to the left of D. Q sits fifth to the right of R who sits

sixth to the right of L. More than 18 people sit in a row. The number of people sitting right of M is the same as sitting to the left of L.

8. How many people are sitting in the given row?

- A. 19
- B. 20
- C. 21
- D. 22
- E. 23

9. Four of the following are alike in a certain way and so form a group. Which of the following does not belong to the group?

- A. N and D
- B. F and Q
- C. Q and S
- D. D and R
- E. N and L

10. How many people are sitting between M and the one who sits 4th to the right of L?

- A. Ten
- B. Eleven
- C. Nine
- D. Twelve
- E. Thirteen



11.Length of train A is 410 m and it is running at a speed of 72 km/h. Speed of train B, which is running opposite to train A is 90 km/h. Two trains crossed each other in 18 seconds. Find the time taken by train B to cross a pole.

- A. 24 seconds
- B. 20 seconds
- C. 16 seconds
- D. 12 seconds
- E. 18 seconds

12.A, B and C can do a work in 20 days, 25 days and 30 days respectively. A and B work together for 4 days then A left the work and C joined B. B and C worked together for 6 days and then C left the work. If remaining work is done by B alone then for how many days B worked?

- A. 17
- B. 12
- C. 18
- D. 15
- E. None of these

13.A, B and C start a business in partnership. A invest Rs. 14000 for 1 year. B invested for 6 months and C invested for 8 months. At the end of year ratio of profits of A, B and C was 5 : 3 : 3. Find the amount invested by B and C respectively.

- A. Rs. 10500, Rs. 9600
- B. Rs. 16800, Rs. 12600

- C. Rs. 13600, Rs. 10800
- D. Rs. 15800, Rs. 14600
- E. Rs. 18800, Rs. 13200

14.Marked price of an item is 35% more than its cost price. If item is sold at Rs. 27135 after two successive discounts of 10% and 10%, find the marked price of item.

- A. Rs. 24300
- B. Rs. 27400
- C. Rs. 29500
- D. Rs. 33500
- E. Rs. 34600

15.Ratio of downstream speed to upstream speed of boat is 5 : 3. Boat travels 18 km upstream and 60 km downstream in total 6 hours. How much time is required by boat to travel 45 km downstream?

- A. 3.6 hours
- B. 1.8 hours
- C. 4.5 hours
- D. 2.5 hours
- E. 3 hours

16.Ratio of ages of Vaibhav and Anisha 5 years ago was 7 : 4. Ratio of their ages 5 years hence will be 3 : 2. Ratio of present ages of Vaibhav and Raj is 5 : 2. Find the average of present ages of Vaibhav, Anisha and Raj.

- A. 27 years



**SBI PO 2021 Mains**  
A Special Course

START FREE TRIAL

- B. 33 years
- C. 39 years
- D. 35 years
- E. 24 years

**Direction:** What approximate value will come in place of the question mark (?) in the following question? (You are not expected to calculate the exact value)

$$17. 18.09 \times 5.99 + 214.03 - 11.01^2 = ?$$

- A. 196
- B. 193
- C. 219
- D. 201
- E. 187

**Direction: (18–20)** In the following number series, only one number is wrong. Find out the wrong number.

$$18. 5, 6, 13, 40, 161, 805, 4837$$

- A. 4837
- B. 805
- C. 161
- D. 40
- E. 13

$$19. 212, 312, 436, 577, 746, 942$$

- A. 212
- B. 942
- C. 436
- D. 577
- E. 312

$$20. 26, 23, 39, 78, 195, 585$$

- A. 23
- B. 39
- C. 585
- D. 195
- E. 26

**Direction: (21–22)** Read the following sentence to find out if there is any error in it. The sentence is divided into four parts. The option containing the part of the sentence containing an error, is the answer. If the given sentence is correct as it is, mark E, i.e., 'No error' as the answer. Ignore the errors of punctuation if any.

21. The price of goods and services have been rose (1)/ since the process of unlocking began, (2)/ in an attempt to balance the drop (3)/ in the growth of GDP during the pandemic. (4)

- A. 1
- B. 2
- C. 3
- D. 4
- E. No error

22. The batsman play a shot towards (1)/ the deep midwicket, but the fielder (2)/ stopped the ball before it could (3)/ cross the boundary. (4)

- A. 1
- B. 2
- C. 3
- D. 4
- E. No error





**Direction: (23–24)** The following question carries a statement with two blanks. From the given options, choose the word that would fit in both the blanks to make the sentence grammatically correct and meaningful.

23.

Wilbur Wright \_\_\_\_\_ the first aerial photo \_\_\_\_\_ his flight in 1909.

- A. Take, since
- B. Took, during
- C. Taking, for
- D. Will take, because
- E. Is taking, over

24. Geographical \_\_\_\_\_ and the art of map-making \_\_\_\_\_ exponentially during the great Age of Exploration.

- A. Advance, growing
- B. Advancement, growth
- C. Will advance, will grow
- D. Advances, grew
- E. Advancing, growing

**Direction: (25–29)** Rearrange the following six sentences (A), (B), (C), (D), and (E) in the proper sequence to form a meaningful paragraph. Then answer the questions given below them.

A) In short, by practicing this behavior, sea-birds take advantage

of winds generated by breaking waves to stay aloft.

B) These birds make this kind of surfing look effortless, but actually the physics involved that give them a big boost are not simple.

C) Researchers recently developed a theoretical model that describes how the ocean, the wind and the birds in flight interact in a recent paper.

D) It's a common sight: pelicans gliding along the waves, right by the shore.

E) They found that pelicans can completely offset the energy they expend in flight by exploiting wind updrafts generated by waves through what is known as wave-slope soaring.

25. Which of the following will be the LAST statement after rearrangement?

- A. A
- B. B
- C. C
- D. D
- E. E

**Direction: (26–28)** In the following question, a phrase is given, which has been used in the three statements given below it. Identify the statement(s) in which the word fits contextually to convey a logical meaning.



## 26. Out of the woods

I. Analysts said the index is still not **out of the woods** and none of the technical indicators has generated buy signals so far.

II. Whether it's COVID-19, the challenges connected with Big Tech, or geopolitical tensions, the country is leading the way **out of the woods** many crises.

III. If the local member is not up to the task then he needs to get **out of the woods**.

- A. Only I
- B. Only II
- C. Both II and III
- D. Both I and II
- E. All I, II and III

## 27. In the grand scheme of things

I. Shanaya doesn't have much experience with Powerpoint but **in the grand scheme of things**, her experience is impressive.

II. **In the grand scheme of things** getting here two hours late was better than spending another night in that overpriced hotel.

III. Considered as one of the seven natural wonders of the World, **the Grand scheme of things** has been created by the Colorado River by the continuous [erosion](#) over thousands of years.

- A. Only I
- B. Only II
- C. Both II and III
- D. Both I and II
- E. All I, II and III

**Direction: (28–29)** Select the connector from the given options which can be used to form a single sentence from the two sentences given below, implying the same meaning as expressed in the statement sentences.

28. I. She decided to take the next bus back home.

II. It was getting late, and the crowd had already started thinning.

- A. As
- B. During
- C. Not only
- D. Over
- E. Either

29. I. The drains have overflowed and most of the city is under water.

II. It has been raining continuously for over a week now.

- A. During
- B. Recently
- C. Because
- D. Lest
- E. Or



**SBI PO 2021 Mains**  
A Special Course

START FREE TRIAL

**Direction:** A phrase has been highlighted in the given sentence. Choose the word from the options which means the same as the phrase highlighted.

30. She had a bad habit of trusting everyone, including the friends who had **left her high and dry** in her hour of need.

- A. Helpful
- B. Betrayed
- C. Respected
- D. Temperamental
- E. Accepted



**SBI PO 2021 Mains**  
A Special Course

START FREE TRIAL



**Answers & Explanations**

1. Ans. B.

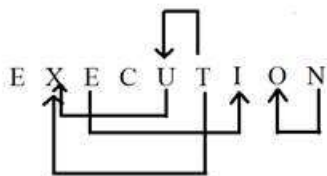
2nd, 3rd, 5th and 7th letters of MONOLOGUE are O, N, L and G.

The newly formed word is LONG

2. Ans. E.

Given word -

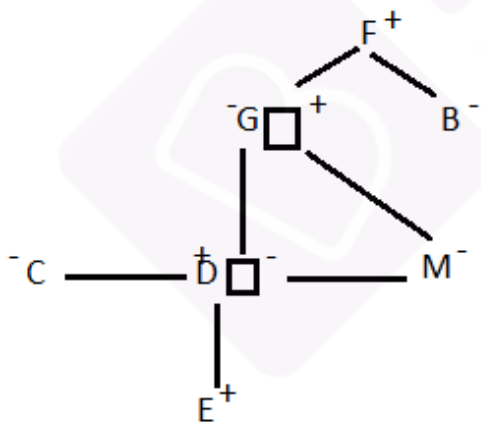
The given word can be represented as follows:



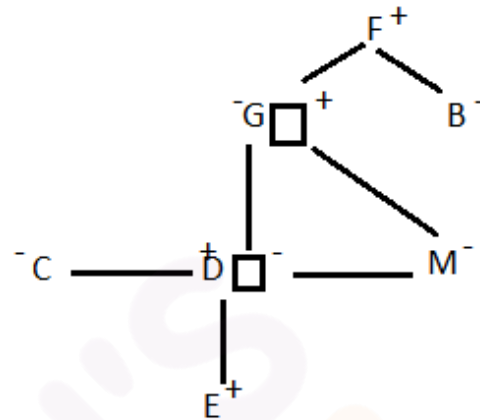
Thus, there are 5 such pairs - EI, NO, TU, XT and XU

Hence, Five is the correct answer.

3. Ans. A.



4. Ans. A.



5. Ans. D.

F > D > A > C > E > B  
67 48

6. Ans. C.

F > D > A > C > E > B  
67 48

7. Ans. D.

F > D > A > C > E > B  
67 48

8. Ans. D.



9. Ans. E.



10. Ans. D.



**SBI PO 2021 Mains**  
A Special Course

START FREE TRIAL

11. Ans. C.

$$\text{Speed of train A} = 72 \text{ km/h} = 72 \times \frac{5}{18} = 20 \text{ m/s}$$

$$\text{Speed of train B} = 90 \text{ km/h} = 90 \times \frac{5}{18} = 25 \text{ m/s}$$

$$\text{Relative speed of two trains} = 25 + 20 = 45 \text{ km/h}$$

Let the length of train-B be  $x$  meters.

$$\text{Then, } \frac{410 + x}{45} = 18$$

$$\Rightarrow 410 + x = 810$$

$$\Rightarrow x = 400$$

$$\text{Time taken by train B to cross a pole} = \frac{400}{25} = 16 \text{ seconds}$$

12. Ans. D.

Let the total work be 300 units.

$$\text{Efficiency of A} = \frac{300}{20} = 15 \text{ units/day}$$

$$\text{Efficiency of B} = \frac{300}{25} = 12 \text{ units/day}$$

$$\text{Efficiency of C} = \frac{300}{30} = 10 \text{ units/day}$$

$$\text{Work done by A and B together in 4 days} = 4 \times (15 + 12) = 108 \text{ units}$$

$$\text{Work done by B and C together in 6 days} = 6 \times (12 + 10) = 132 \text{ units}$$

$$\text{Remaining work} = 300 - (108 + 132) = 60 \text{ units}$$

$$\text{Number of days taken by B lone to complete 60 units} = \frac{60}{12} = 5$$

$$\text{Required number of days} = 4 + 6 + 5 = 15$$

13. Ans. B.

Let amount invested by B and C be Rs.  $p$  and Rs.  $q$  respectively.

$$\text{Ratio of profits of A, B and C} = 14000 \times 12 : p \times 6 : q \times 8$$

$$= 14000 \times 6 : p \times 3 : q \times 4$$

$$\text{Now, } 14000 \times 6 : p \times 3 : q \times 4 = 5 : 3 : 3$$

$$\text{So, } \frac{14000 \times 6}{p \times 3} = \frac{5}{3}$$

$$\Rightarrow p = 16800$$

$$\frac{14000 \times 6}{q \times 4} = \frac{5}{3}$$

$$\Rightarrow q = 12600$$

14. Ans. D.

$$\text{Marked price} \times 0.9 \times 0.9 = 27135$$

$$\Rightarrow \text{Marked price} = 27135 \times \frac{10}{9} \times \frac{10}{9}$$

$$= \text{Rs. } 33500$$

15. Ans. E.

Let the upstream and downstream speed be  $x$  km/h and  $y$  km/h respectively.

$$\text{Then, } \frac{x+y}{x-y} = \frac{5}{3}$$

$$\Rightarrow 3x + 3y = 5x - 5y$$

$$\Rightarrow 2x = 8y$$

$$\Rightarrow x = 4y$$

$$\text{Now, } \frac{18}{4y-y} + \frac{60}{4y+y} = 6$$

$$\Rightarrow \frac{6}{y} + \frac{12}{y} = 6$$

$$\Rightarrow \frac{18}{y} = 6$$



$$\Rightarrow y = 3$$

$$\text{So, } x = 4 \times 3 = 12$$

$$\text{Required time} = \frac{45}{12+3} = 3 \text{ hours}$$

16. Ans. A.

Let the ages of Vaibhav and Anisha 5 years ago be  $7x$  and  $4x$  respectively.

$$\text{Then, } \frac{7x+10}{4x+10} = \frac{3}{2}$$

$$\Rightarrow 14x + 20 = 12x + 30$$

$$\Rightarrow 2x = 10$$

$$\Rightarrow x = 5$$

$$\text{Present age of Vaibhav} = 7 \times 5 + 5 = 40 \text{ years}$$

$$\text{Present age of Anisha} = 4 \times 5 + 5 = 25 \text{ years}$$

$$\text{Present age of Raj} = \frac{40}{5} \times 2 = 16 \text{ years}$$

$$\text{Required average} = \frac{40+25+16}{3} = \frac{81}{3} = 27 \text{ years}$$

17. Ans. D.

By approximation, we get:

$$? = 18 \times 6 + 214 - 121$$

$$= 108 + 214 - 121$$

$$= 201$$

18. Ans. B.

The pattern of the series is:

$$5 \times 1 + 1 = 6$$

$$6 \times 2 + 1 = 13$$

$$13 \times 3 + 1 = 40$$

$$40 \times 4 + 1 = 161$$

$$161 \times 5 + 1 = 806$$

$$806 \times 6 + 1 = 4837$$

Hence, the wrong number is 805.

19. Ans. C.

The pattern of the series is:

$$212 + 10^2 = 312$$

$$312 + 11^2 = 433$$

$$433 + 12^2 = 577$$

$$577 + 13^2 = 746$$

$$746 + 14^2 = 942$$

Hence, the wrong number is 436.

20. Ans. A.

The pattern of the series is:

$$26 \times 1 = 26$$

$$26 \times 1.5 = 39$$

$$39 \times 2 = 78$$

$$78 \times 2.5 = 195$$

$$195 \times 3 = 585$$

Hence, the wrong number is 23.

21. Ans. A.

**The error is in the first part of the sentence.**

The correct construction of present perfect continuous tense is have+been+-ing form of verb. Present perfect continuous tense denotes that something began in the past and is continuing in the present time, like the rise in price of goods and services as mentioned in the sentence. Thus, 'have been rose' needs to be replaced with



**SBI PO 2021 Mains**  
A Special Course

START FREE TRIAL

'have been rising' to make the sentence grammatically correct.

**Thus, the correct answer is option A.**

22. Ans. A.

**The correct answer is option A.**

**The error lies in the first part of the sentence.** The sentence is evidently in the past tense since the batsman has already made the shot that has been stopped by the fielder. As such, the base form of the verb is grammatically and contextually incorrect, and needs to be replaced with the past form 'played'.

23. Ans. B.

**The correct answer is option B.**

The sentence is in the past tense since the event has already happened in 1909. Thus, the only appropriate word for the first blank will be 'took'. This makes option B the most apt choice. Furthermore, 'during' can be effectively used in the second blank to denote a particular point in the course of something, in this case, his flight.

24. Ans. D.

**The correct answer is option D.**

While looking at the first blank, options A, B, C, and D look like probable choices. However, looking at the second blank, only option D stands out since it carries a verb in the past tense, which is required for the blank. The Age of Exploration

has already happened, thus geographical advances and the growth of map-making must have happened in the past, making 'grew' an apt choice for the second blank. And since 'advances' also fit contextually in the first blank, option D is the correct answer.

25. Ans. A.

The correct sequence is **DBCEA**.

The first sentence would be D, as it mentions the subject of the sentence which is 'pelicans'. Further elaboration about who exactly 'pelicans' are.. is provided by statement B which mentions 'these birds'. The next sentence would be C that helps lay the grounds for the actual theme of the passage that relates to the flying mechanism of the sea birds. Now what the researchers found about pelicans in specific is stated in E that takes the next place. Last in the sequence would be A as it uses the demonstrative pronoun 'this' for the behaviour that has been described in E.

26. Ans. A.

The phrase has been used correctly in only statement I. The given phrase means to come out of difficulties, danger or trouble.

The correct phrase in statement II would be 'out of the world's'.

Correct phrase to fit in sentence III is "out of the way".

27. Ans. D.



**SBI PO 2021 Mains**  
A Special Course

START FREE TRIAL

When people talk about the scheme of things or the grand scheme of things, they are referring to **the way that everything in the world seems to be organized.**

The phrase has been used correctly in 1st and 2nd statements. The 3rd one the statement talks about 'The grand Canyon'.

28. Ans. A.

**The correct answer is option A.**

The given statements have an assertion-and-reason relationship with each other. The first statement asserts that the subject decided to take the bus back home. The following statement provided the reason why. The only connector from the given options that can be used to effectively connect the two sentences is 'as'.

New sentence: "She decided to take the next bus back home **as** it was getting rather late, and the crowd had already started thinning."

29. Ans. C.

**The correct answer is option C.**

The first statement asserts something. The second statement provides a probable consequence of the assertion. Thus, the conjunction 'because', meaning for the reason that, can be used to connect the two statements.

New statement:

'The drains have overflowed and most of the city is under water

because It has been raining continuously for over a week now.'

30. Ans. B.

**The correct answer is option B.**

To leave someone high and dry means to do something that is not at all convenient for someone and puts them in a very difficult situation. The best replacement for the phrase is 'betray'. Thus, option B is the correct answer.



**SBI PO 2021 Mains**  
A Special Course

START FREE TRIAL



# SBI PO 2021 Mains

## A Special Course

---

### Why take this course?

- 70+ Live Classes for Complete Conceptual Clarity
- 10+ Full-length Mock Tests
- 800+ Practice Questions
- Coverage of Reasoning, Quantitative Aptitude, General Awareness & English

