

Study Notes On Blood Relation



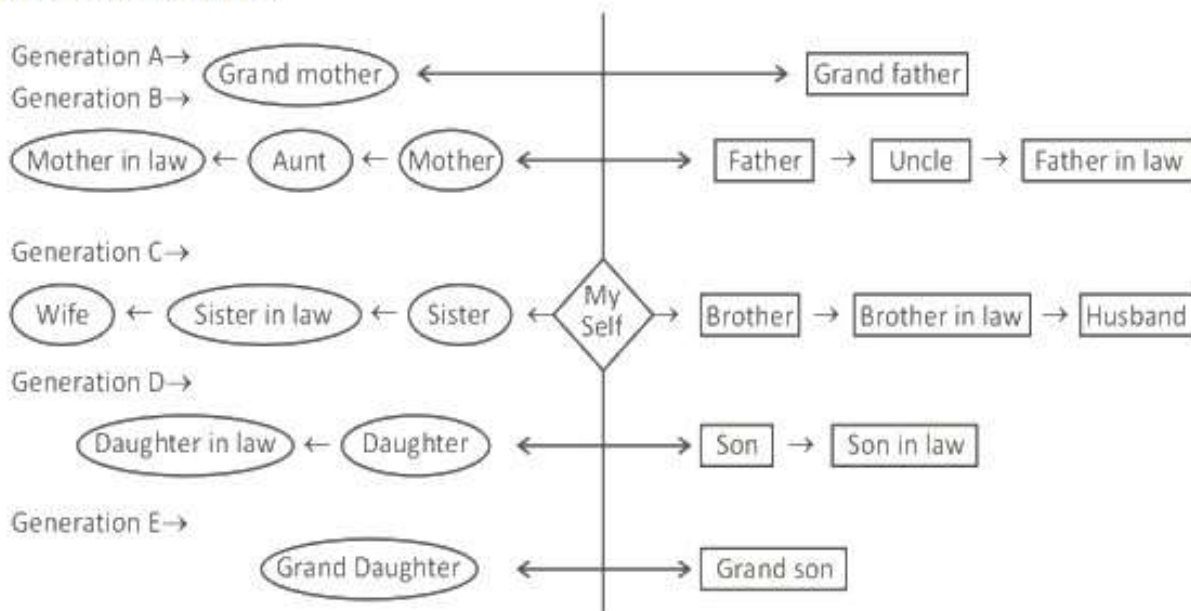
BLOOD RELATION

Blood relation questions consist of indirect information given between two persons, and that information can be established by reading all the pieces of information. We can solve the Blood relation question by making the diagram of the information given in the question. Some of the blood relation which are generally used in the question are

| | |
|-------------------------------|-----------------------|
| Mother's or father's son | Brother |
| Mother's or father's daughter | Sister |
| Father's brother | Uncle |
| Father's sister | Aunt |
| Father's Father | Grand father |
| Father's mother | Grand mother |
| Mother's brother | Uncle |
| Mother's Sister | Aunt |
| Son's wife | Sister in law |
| Daughter's Husband | Brother in law |
| Sister's/Brother's Son | Nephew |
| Sister's/Brother's Daughter | Niece |
| Husband's or wife's brother | Brother in law |
| Husband's or wife's sister | Sister In law |
| Mother's father | Maternal Grand Father |
| Mother's Mother | Maternal Grand Mother |

- We cannot decide the gender of a person by name.
- We have to decide the sign assigned to males as well as females.

GENERATION TREE:



After that, we gather the information step by step and try to make the diagram from the following data

Some common type of questions asked in the exam-

1. Direct Blood relation
2. Puzzle based Blood relation
3. Counting the total number of males and females
4. Coded Blood relation

Below we are going to share the types of series with examples to explain it-

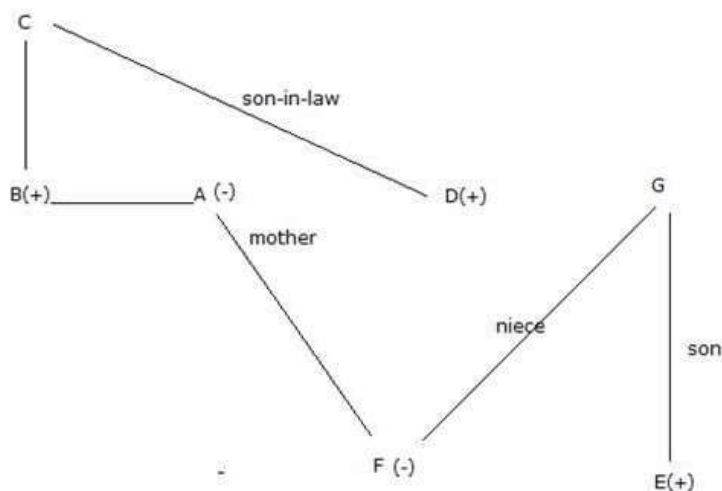
Direct Blood Relation

1. In a family of seven persons. B is the brother of A and the son of C. D is the son-in-law of C, who has two grandchildren E and F. A is the mother of F and F is the niece of G. E is the son of G. If C has two children, how is E Related D?

- A. Brother-in-law
- B. Son
- C. Cousin
- D. Nephew

Ans. D

Sol.



Given text in the question can be represented in the following diagram-

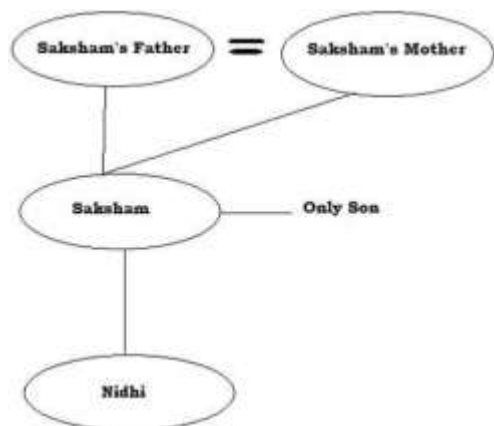
So, C has two children i.e., B and A because its given that B is the brother of A and also A must be a female and married to D because D is the son-in-law of C. Here G might be the cousin of B so E will be the nephew of D. Hence, option (D) is the correct response.

2. Saksham introduced Nidhi to his friend, “she is the daughter of the only son of my father’s wife.” How is saksham related to nidhi?

- A. Brother
- B. Cousin
- C. Son
- D. Father

Ans. D

Sol.



Therefore saksham is the on nidhi . Hence, option (D) is the correct answer.

Puzzle Based Blood Relation

1. A family consists of six members A, B, C, D, E and F. There are two married couples and three generations. B is a doctor and the father of E. F is the grandfather of C and C is a contractor, D is a mother of B and grandmother of C. How Contractor related to D?

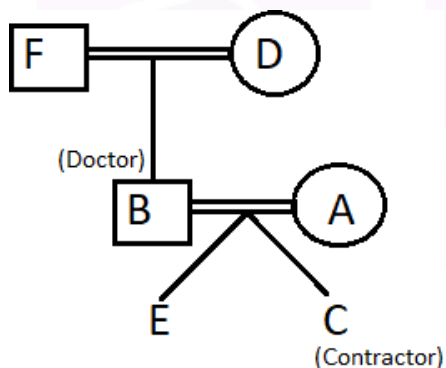
- A. Grandson
- B. Granddaughter
- C. Son
- D. Can't be determined

Ans. D

Sol.

Different symbols used to draw family tree,

| | | | | | |
|-------------------|--------|------|----------------|----------|----------------------------|
| Symbol in Diagram | ○ | □ | = | ^ | |
| Meaning | Female | Male | Married Couple | Siblings | Difference of A Generation |



Six members A, B, C, D, E and F. There are two married couples.

As we can see 's C is contractor and C's gender is not definite therefore either C is grandson or granddaughter of D.

Hence, it can't be determined.

Counting the total number of males and females

1. A Family has a man, his wife, their four sons and their wives. The family of every son also has 3 sons and one daughter. Find out the total number of male members in the whole family.

- A. 4
- B. 8
- C. 12
- D. 17

Ans. D

Sol.

The male members in the family are: (i) the man himself; (ii) his four sons; and (iii) his $(3 \times 4) = 12$ grandsons. Hence, total number of male members = $(1 + 4 + 12) = 17$

2. In a joint family, there are father, mother, four married sons and two unmarried daughters. Three sons have 2 daughters each and one has a son. How many female members are there in the family?

- A. 13
- B. 8
- C. 11
- D. 12

Ans. A

Sol.

There are 13 female members in the family. They are;

Mother = 1

Wives of 4 sons = 4

2 daughters each of 3 sons = 6 Unmarried daughters = 2

Thus total will be 13 Hence, option A is correct.

Coded Blood relation

1. A+B means A is the father of B. A-B means A is the sister of B. A*B means A is the brother of B. A%B means A is the son of B. In the expression: T%S*K+D-M, How's T related to M?

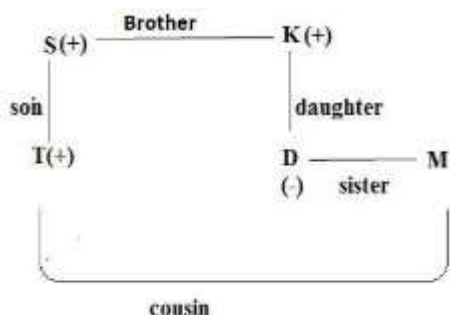
- A. Sister
- B. Brother
- C. Cousin
- D. Uncle

Ans. C

Sol.

It's given that: A+B means A is the father of B. A-B means A is the sister of B. A*B means A is the brother of B. A%B means A is the son of B.

Therefore, the expression T%S*K+D-M can be represented as given below in the diagram:



From the above figure, it's clear that T is the cousin of M. So, the correct answer is option C.

2. A + B means 'A is the mother of B'

A - B means 'A is the father of B'

A × B means 'A is the sister of B'

A ÷ B means 'A is the daughter of B'

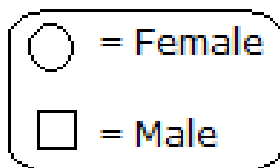
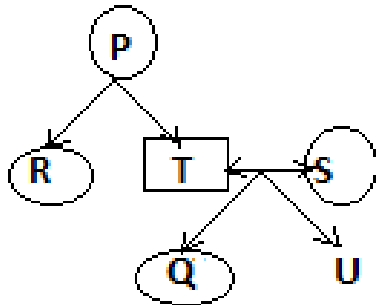
If P + R × T - Q ÷ S + U, then how is S related to T?

- A. Sister
- B. Daughter
- C. Wife
- D. Mother

Ans. C

Sol.

It is clear from the above diagram, that S is the wife of T. Hence, option (C) is correct



BYJU'S
EXAM PREP

CRASH COURSES

Enrol for Ongoing CSIR NET Crash Courses

CSIR NET General Aptitude Course 2021

Complete Study Plan to Boost the CSIR NET Score

What to Expect?

- Live Classes
- Quizzes
- Doubt Sessions
- PYQ Discussion
- Mock Tests
- Chapter-wise Tests
- Revision Tests
- Expert faculty

Course Language

- Bilingual

This Course Includes

-  **80+** Live Classes
-  **1000+** Practice Questions
-  Study Notes & Formula Sheets
-  **10+** Mock Tests

CSIR NET Life Science 2021 Crash Course

Revision Plan to clear the exam

What to Expect?

- Live Classes
- Quizzes
- Doubt Sessions
- PYQ Discussion

Course Language

- English

This Course Includes

-  **200+** Live Classes
-  **3000+** Practice Questions
-  **200+** Study PDFs
-  **10+** Mock Tests

CSIR NET Chemical Science 2021 Crash Course

Complete Revision Plan to ACE the Exam

What to Expect?

- Live Classes
- Quizzes
- Doubt Sessions
- PYQ Discussion
- Mock Tests
- Chapter-wise Tests
- Revision Tests
- Expert faculty

Course Language

- English

This Course Includes

-  **180+** Live Classes
-  **3000+** Practice Questions
-  **200+** Study PDFs
-  **10+** Mock Tests