

SBI PO Prelims 2020-2021 Memory-Based Questions 5th Jan | All Shift



Direction (1 – 5) : In the following question, two equations are given in variables X and Y. You have to solve these equations and determine the relation between X and Y.

1.
I. $4x^2 + 5x + 1 = 0$
II. $2y^2 + 5y + 3 = 0$
A. $Y > X$
B. $X > Y$
C. $X \leq Y$
D. $X \geq Y$
E. $X = Y$ or no relation can be established

- 2.I. $x^2 + 3x - 4 = 0$
II. $y^2 + 2y + 1 = 0$
A. $Y > X$
B. $X > Y$
C. $X \leq Y$
D. $X \geq Y$
E. $X = Y$ or no relation can be established

- 3.I. $x^2 - 12x + 27 = 0$
II. $y^2 - 3y + 2 = 0$
A. $Y > X$
B. $X > Y$
C. $X \leq Y$
D. $X \geq Y$
E. $X = Y$ or no relation can be established

- 4.I. $x^2 + 7x + 10 = 0$
II. $y^2 - 4y - 12 = 0$
A. $Y > X$
B. $X > Y$
C. $X \leq Y$
D. $X \geq Y$
E. $X = Y$ or no relation can be established

- 5.I. $x^2 + 4x + 4 = 0$
II. $y^2 + 3y + 2 = 0$
A. $Y > X$
B. $X > Y$
C. $X \leq Y$
D. $X \geq Y$
E. $X = Y$ or no relation can be established

Direction (6 – 11) : What should come in place of the question mark ('?') in the following number series?

6.
24, 36, 72, 180, 540, ?
A. 1620

- B. 1710
C. 1800
D. 1890
E. 1980
7.49, 45, 61, 25, ?, -11
A. 81
B. 89
C. 83
D. 91
E. 79

- 8.100, ?, 105, 110, 118, 130
A. 102
B. 105
C. 100
D. 101
E. 103

- 9.25000, 4000, 560, 67.2, ?, 0.5376
A. 0.672
B. 6.56
C. 6.072
D. 0.650
E. 6.72

- 10.10, 6, 5, 11, ?, 345
A. 40
B. 43
C. 66
D. 32
E. 45

11.If it is possible to make a meaningful word from the 2nd, 4th, 5th and 9th letters of the word BETRAYING, then which will be the third letter from the right of that word? Mark X if no such word can be formed and mark Y if more than one such word can be formed.

- A. G
B. E
C. A
D. X
E. Y

12.If in the word "TRANSDUCE", all the vowels are changed into the next letter and all the consonants are changed into the previous letter according to the English alphabetical series, then which letter will appear more than once?

- A. S
B. B



- C. F
- D. C
- E. None

Direction: Study the following information and answer the given questions.

T is the sister of Q. T is unmarried. Q is the only daughter-in-law of J. J is the father of only N and M. R is the nephew of M. M is unmarried. B is the grandfather of R. F is the aunt of R.

13. How is T related to R?
- A. Sister
 - B. Mother
 - C. Aunt
 - D. Brother
 - E. None of the above

14. In a certain code, '6 3 8 2 4 6' is coded as '9 5 9 1 2 3' and '4 7 3 1 6 8', is coded as '7 9 4 0 4 5'. In the same code '5 4 3 6 7 8' will be coded as ____.

- A. 864555
- B. 838902
- C. 927512
- D. 975949
- E. 570938

Direction: Study the following information and answer the given questions.

Six people A, B, C, D, E and F are sitting around a circular table facing the centre. Each of them likes a different colour. Only one person sits between A and the one who likes orange (either from left or right side). The one who likes yellow sits third to the right of the one who likes orange. C sits second to the right of the one who likes yellow. Only two people sit between C and the one who likes red. D sits second to the right of the one who likes red. The one who likes pink sits second to the left of the one who likes blue. Only one person sits between E and the one who likes purple (either from left or right). E is not an immediate neighbour of F.

15. How many people sit between B and the one who likes Pink when counted from right of B?

- A. Two
- B. One
- C. Three
- D. None
- E. Four

16. F likes which of the following colours?

- A. Orange
- B. Red
- C. Blue
- D. Pink
- E. None of these

Direction: Study the following information and answer the given questions.

In a certain code language, message for new customers is coded as eb dy mx cz
send message regarding sale is coded as su ga ni dy
sale attract customers more is coded as ga lu pe mx
attract new people here is written as eb tk fh pe

17. How is 'more' coded in that language?

- A. eb
- B. lu
- C. dy
- D. mx
- E. cz

18. Which of the following is coded as "Regarding"?

- A. su
- B. ni
- C. pe
- D. Either su or ni
- E. lu

Direction: Study the following information and answer the given questions.

Nine people live on different floors of a nine floor building where the ground floor is numbered one, the one above is numbered two and so on till the topmost floor of the building is numbered nine. Only one person lives on each floor. Only three people live above the floor on which A lives. As many people live above A as below B. Only two people live



between B and C . Only three people live between C and D . E lives on an even numbered floor immediately above H. F lives on a floor immediately above J. G lives on one of the floors below J.

19. If E is related to B and G is related to C, then in the same way A is related to whom?

- A. C
- B. J
- C. F
- D. H
- E. None of these

20.The one, who lives three floors away from D, is _____.

- A. C
- B. A
- C. J
- D. G
- E. None of these

Directio (21 – 23) : In the given statement some words have been highlighted. These words may not be at the correct place making the sentence grammatically and contextually incorrect. Choose the option which represents the correct sequence of words, which will make the sentence grammatically and contextually correct. If the sentence is correct as it is, choose E i.e. 'No rearrangement required' as your answer.

21. Experts say an incident of **likely (A)** scale could happen **again (B)** and has been made more **relax (C)** by the administrative decision to **similar (D)** traditional safety rules.

- A. ABDC
- B. BADC
- C. DBAC
- D. CBAD
- E. No rearrangement required

22.While **other (A)** corporate giants were **vowed (B)** to go carbon **neutral (C)**, our company **pledging (D)** to go carbon negative by 2030.

- A. ADCB
- B. BCAD
- C. DABC

- D. CADB
- E. No rearrangement required

23.The global oil market is in **war (A)**, hot by **collapsing (B)** demand due to lockdown and a **turmoil (C)** price **savage (D)** between many countries.

- A. ADCB
- B. BCAD
- C. DABC
- D. CBDA
- E. No rearrangement required

Direction (24 – 28) : In the given question, a part of the sentence is printed in bold. Below the sentence, alternatives to the emboldened part are given as (A), (B), (C) and (D), which may help improve the sentence. Choose the correct alternative out of the given five options. In case the given sentence is correct, your answer will be option (E), i.e., "None can replace".

24. Products like singing cards which have tiny electronics inside them are **especially vexing** to recyclers.

- A. Quite know
- B. Hated by
- C. Not picked up
- D. Not good news for
- E. None can replace

25.Australia's greenhouse gas emissions have dipped slightly **on the back of** new clean energy initiative of the government.

- A. Even with the
- B. After the introduction
- C. Due to the
- D. Because of
- E. None can replace

Direction (26 – 30) : Read the sentence to find out whether there is an error in it. The error, if any, will be in one part of the sentence. The number corresponding to that part will be your answer. If the given sentence is correct as it is, mark the answer as 'No error'. Ignore the errors of punctuation, if any.

26.



One way you would stay (1)/ happy is to pay attention (2)/ to what you have rather (3)/ than what you crave. (4)

- A. 1
- B. 2
- C. 3
- D. 4
- E. No error

27. Every economy follow (1)/ a sinusoidal pattern of a (2)/ downward trend followed by (3)/ an upward trend. (4)

- A. 1
- B. 2
- C. 3
- D. 4
- E. No error

28. Tribals located in the (1)/ Central regions are solely (2)/ dependent of natural resources (3)/ for their livelihood. (4)

- A. 1
- B. 2
- C. 3

- D. 4
- E. No error

29. Plant that enhances the (1)/ soil overall productivity and (2)/ promote the growth of other (3)/ crops are sown alongside. (4)

- A. 1
- B. 2
- C. 3
- D. 4
- E. No error

30. The dictionary was useless (1)/ as most of the words, (2)/ the student wanted to look over (3)/ were not present. (4)

- A. 1
- B. 2
- C. 3
- D. 4
- E. No error



SBI & IBPS PO
Main 2020 Crash Course

START FREE TRIAL

###ANSWERS###

1. Ans. D.

$$\begin{aligned} \text{I. } & 4X^2 + 5X + 1 = 0 \\ \Rightarrow & 4X^2 + 4X + X + 1 = 0 \\ \Rightarrow & 4X(X + 1) + 1(X + 1) = 0 \\ \Rightarrow & (4X + 1)(X + 1) = 0 \\ \Rightarrow & X = -1, -1/4 \\ & 2Y^2 + 5Y + 3 = 0 \\ \Rightarrow & 2Y^2 + 3Y + 2Y + 3 = 0 \\ \Rightarrow & Y(2Y + 3) + 1(2Y + 3) = 0 \\ \Rightarrow & (2Y + 3)(Y + 1) = 0 \\ \Rightarrow & Y = -3/2, -1 \end{aligned}$$

Hence $X \geq Y$

2. Ans. E.

$$\begin{aligned} \text{I. } & X^2 + 3X - 4 = 0 \\ \Rightarrow & X^2 + 4X - X - 4 = 0 \\ \Rightarrow & X(X + 4) - 1(X + 4) = 0 \\ \Rightarrow & (X - 1)(X + 4) = 0 \\ \Rightarrow & X = 1, -4 \\ \text{II. } & Y^2 + 2Y + 1 = 0 \\ \Rightarrow & Y^2 + Y + Y + 1 = 0 \\ \Rightarrow & Y(Y + 1) + 1(Y + 1) = 0 \\ \Rightarrow & (Y + 1)^2 = 0 \\ \Rightarrow & Y = -1 \end{aligned}$$

No relation can be established

3. Ans. B.

$$\begin{aligned} & X^2 - 12X + 27 = 0 \\ \Rightarrow & X^2 - 9X - 3X + 27 = 0 \\ \Rightarrow & X(X - 9) - 3(X - 9) = 0 \\ \Rightarrow & (X - 9)(X - 3) = 0 \\ \Rightarrow & X = +9 \text{ \& } +3 \end{aligned}$$

$$\begin{aligned} & Y^2 - 3X + 2 = 0 \\ \Rightarrow & Y^2 - 2Y - Y + 2 = 0 \\ \Rightarrow & Y(Y - 2) - 1(Y - 2) = 0 \\ \Rightarrow & (Y - 1)(Y - 2) = 0 \\ \Rightarrow & Y = +1, +2 \end{aligned}$$

4. Ans. C.

$$\begin{aligned} & X^2 + 7X + 10 = 0 \\ \Rightarrow & X^2 + 5X + 2X + 10 = 0 \\ \Rightarrow & X(X + 5) + 2(X + 5) = 0 \\ \Rightarrow & (X + 2)(X + 5) = 0 \\ \Rightarrow & X = -2, -5 \end{aligned}$$

$$\begin{aligned} & Y^2 - 4Y - 12 = 0 \\ \Rightarrow & Y^2 - 6Y + 2Y - 12 = 0 \\ \Rightarrow & Y(Y - 6) + 2(Y - 6) = 0 \\ \Rightarrow & (Y + 2)(Y - 6) = 0 \\ \Rightarrow & Y = 6, -2 \end{aligned}$$

5. Ans. C.

$$\begin{aligned} & X^2 + 4X + 4 = 0 \\ \Rightarrow & X^2 + 2X + 2X + 4 = 0 \\ \Rightarrow & X(X + 2) + 2(X + 2) = 0 \\ \Rightarrow & (X + 2)^2 = 0 \\ \Rightarrow & X = -2 \end{aligned}$$

$$\begin{aligned} & Y^2 + 3X + 2 = 0 \\ \Rightarrow & Y^2 + 2Y + Y + 2 = 0 \\ \Rightarrow & Y(Y + 2) + 1(Y + 2) = 0 \\ \Rightarrow & (Y + 1)(Y + 2) = 0 \\ \Rightarrow & Y = -1, -2 \end{aligned}$$

6. Ans. D.

Pattern of the series is:

$$\begin{array}{cccccc} 24 & 36 & 72 & 180 & 540 & ? = 1890 \\ \hline & \times 1.5 & \times 2 & \times 2.5 & \times 3 & \times 3.5 \end{array}$$

Hence, the answer is option D.

7. Ans. B.

Pattern of the series is:

$$\begin{array}{cccccc} 49 & 45 & 61 & 25 & ? = 89 & -11 \\ \hline -4 & +16 & -36 & +64 & -100 & \\ \downarrow & \downarrow & \downarrow & \downarrow & \downarrow & \\ 2^2 & 4^2 & 6^2 & 8^2 & 10^2 & \end{array}$$

Hence, the answer is option B.

8. Ans. A.

Pattern of the series is:

$$\begin{array}{cccccc} 100 & ? = 102 & 105 & 110 & 118 & 130 \\ \hline +2 & +3 & +5 & +8 & +12 & \\ \hline +1 & +2 & +3 & +4 & & \end{array}$$

Hence, the answer is option A.

9. Ans. E.

Pattern of the series is:

$$\begin{array}{cccccc} 25000 & 4000 & 560 & 67.2 & ? = 6.72 & 0.5376 \\ \hline \times 0.16 & \times 0.14 & \times 0.12 & \times 0.10 & \times 0.08 & \end{array}$$

Hence, the answer is option E.

10. Ans. B.

Pattern of the series is:

$$\begin{array}{cccccc} 10 & 6 & 5 & 11 & ? = 43 & 345 \\ \hline \times 0.5+1 & \times 1-1 & \times 2+1 & \times 4-1 & \times 8+1 & \end{array}$$

Hence, the answer is option B.

11. Ans. E.

2nd, 4th, 5th and 9th - E, R, A and G

Meaningful word: Gear and Rage

12. Ans. B.

TRANSDUCE - SQBMRCVBF

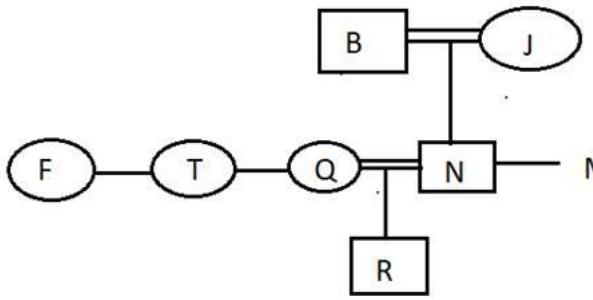
13. Ans. C.

Symbol	Relation
□	Male
○	Female
—	Sibling
==	Couple
	Child



SBI & IBPS PO
Main 2020 Crash Course

START FREE TRIAL

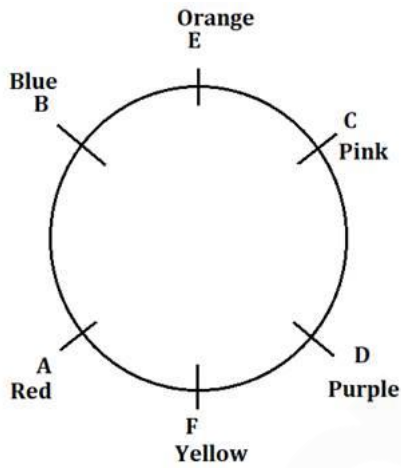


14. Ans. A.

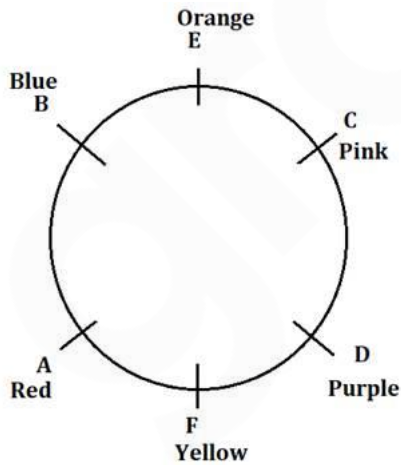
6	3	8	2	4	6	9	5	9	1	2	3
+3	+2	+1	-1	-2	-3	+3	+2	+1	-1	-2	-3
9	5	9	1	2	3	7	9	4	0	4	5

5	4	3	6	7	8
+3	+2	+1	-1	-2	-3
8	6	4	5	5	5

15. Ans. C.



16. Ans. E.



17. Ans. B.

Words	Codes
message	dy
attract	pe
customer	mx
sale	ga
send/regarding	su/ni
new	eb
for	cz
more	lu

18. Ans. D.

Words	Codes
message	dy
attract	pe
customer	mx
sale	ga
send/regarding	su/ni
new	eb
for	cz
more	lu

19. Ans. B.



SBI & IBPS PO
Main 2020 Crash Course

START FREE TRIAL

9	F
8	J
7	C
6	A
5	G
4	B
3	D
2	E
1	H

20. Ans. B.

9	F
8	J
7	C
6	A
5	G
4	B
3	D
2	E
1	H

21. Ans. C.

The term 'scale' is a noun. We need an adjective to qualify it. Thus, the only adjective is word D. It will be the first word. The only option with D as a first option is C. Thus, the correct option is C.

22. Ans. A.

The correct option is A.

23. Ans. D.

The correct option is D.

24. Ans. E.

The correct option is E.

25. Ans. E.

The phrase 'on the back of' means because of or on the strength of (something), and it has thus been used appropriately in the sentence.

Thus, the correct answer is option E.

26. Ans. B.

The correct option is B.

27. Ans. A.

The error is in the first part of the sentence. As we are talking about singular subject 'every economy' we need to have a singular verb too. We need to replace 'follow' with 'follows' to rectify it. Thus, the correct option is A.

28. Ans. C.

The error lies in the third part of the sentence. The preposition 'of' denoting (something) belonging to, is misplaced here. It needs to be replaced by the preposition 'on' used as a function word to indicate a source of dependence.

Thus, the correct answer is option C.

29. Ans. B.

The error lies in the second part of the sentence. The adverb 'overall', meaning as a whole, needs to precede the following phrase 'soil productivity' to better qualify it and maintain the syntax of the sentence.

Thus, option B is the correct answer.

30. Ans. C.

The correct option is C.



SBI & IBPS PO

Main 2020 Crash Course

Study Plan to clear SBI & IBPS PO 2020

Major Highlights of the Course

- **120+ Live Classes for Complete Conceptual Clarity**
- **20 Full-length Mock Tests**
- **2000+ Practice Questions**
- **Coverage of Reasoning, Quantitative Aptitude, General Awareness & English**

