

Solutions

1. Ans. D

The pattern is $=5^2+1, 6^2+1, 7^2+1, 8^2+1, 9^2+1,$
So the wrong term 63 is replace by $= 8^2+1 = 65$

2. Ans. A



$$+(1 \times 713) + (2 \times 713) + (3 \times 713) + (4 \times 713) + (5 \times 713) + (6 \times 713)$$

So, 15495 will come at the place of question mark.

3. Ans. D

The pattern is

$$5 \times 7 = 35, 9 \times 11 = 99, 13 \times 15 = 195, 17 \times 19 = 323, 21 \times 23 = 483$$

4. Ans. C

The series is $x \ 1 + 2, x \ 2+3, x \ 3 + 4,$
so next term is $= 31 \times 4+5 = 129$

5. Ans. B

$$200 \times \frac{6}{5} = 240$$

$$240 \times \frac{5}{4} = 300$$

$$300 \times \frac{4}{3} = 400$$

$$400 \times \frac{3}{2} = 600$$

$$600 \times \frac{2}{1} = 1200$$

6. Ans. C

Take nearest values

$$(233.01+117.0003) \times 68.01 \div 16.998$$

$$= 350 \times 4 = 1400(\text{approx})$$

7. Ans. C

$$44\% \text{ of } 125 + 75\% \text{ of } 840 = 55+630 = 685$$

8. Ans. C

$$1134 + 256 - ? = 1444$$

$$1390 - ? = 1444$$

$$? = 54$$

9. Ans. A

$$\frac{?}{576} = \frac{256}{?}$$

$$\Rightarrow ?^2 = 256 \times 576$$

$$\Rightarrow ? = \sqrt{256 \times 576} = 384$$

10. Ans. C

Given that:

$$8\frac{2}{7}\% \text{ of } 1568 + 132\% \text{ of } 265.75 = x + 245.56$$

$$\Rightarrow (58/700) \text{ of } 1568 + 350.79 = x + 245.56$$

$$\Rightarrow 129.92 + 350.79 = x + 245.56$$

$$\Rightarrow x = 235.15$$

11. Ans. D

$$4^{7.2+7.8-5.6} \dots > 4^{9.4}$$

$$4^? = 4^{9.4-5} = 4.4$$

12. Ans. C

$$555 \times \frac{?}{100} + 444 \times \frac{28}{100} = 202.02$$

$$\frac{555 \times ? + 12432}{100} = 202.02$$

$$555 \times ? + 12432 = 20202$$

$$555 \times ? = 20202 - 12432$$

$$555 \times ? = 7770$$

$$? = \frac{7770}{555} = 14$$

13. Ans. D

$$? = (73425 - 33267 - 22418 - 17650) \times \sqrt{11025}$$

$$= (73425 - 73335) \times \sqrt{11025}$$

$$= 90 \times 105$$

$$= 9450$$



FREE TEST

IBPS RRB ASSISTANT COMBO EXAM

ATTEMPT NOW

14. Ans. D

The given expression is

$$\frac{20.25+9.75}{12.55+2.45} + \left(0.125 + \frac{1}{4.8}\right)$$

$$\Rightarrow \frac{30}{15} + \left(\frac{1}{8} + \frac{10}{48}\right)$$

$$\Rightarrow 2 + \frac{16}{48} = 6$$

15. Ans. A

$$\frac{169}{45} \times \frac{125}{208} + \frac{5}{16} + \frac{7}{9}$$

$$\frac{169}{45} \times \frac{125}{208} \times \frac{16}{5} + \frac{7}{9}$$

$$\frac{169}{45} \times \frac{25}{13} + \frac{7}{9}$$

$$\frac{65}{9} + \frac{7}{9} = \frac{72}{9} = 8$$

16. Ans. A

$$\frac{(\sqrt{7921} - \sqrt{2070.25}) \times \frac{1}{4}}{1} = \frac{(89 - 45.5)/4}{1} = 43.5/4$$

= 11 (Approx)

Hence option A is correct

17. Ans. B

$$? = (4438 - 2874 - 559) \div (269 - 106 - 83)$$

$$? = (1005) \div (80)$$

$$? = \frac{1005}{80}$$

$$? = 12.56$$

$$? = 13 \text{ (Approx.)}$$

18. Ans. E

$$? = 726 \times \frac{15.2}{100} \times 643 \times \frac{12.8}{100}$$

$$= 110.352 \times 82.304$$

$$= 9082.41$$

$$\approx 9082 \text{ (approx)}$$

19. Ans. A

$$40.005\% \text{ of } 439.998 + ?\% \text{ of } 655.011 = 229.5$$

$$\frac{40}{100} \times 440 + \frac{x}{100} \times 655 = 230$$

$$\frac{? \times 655}{100} = 230 - 176$$

$$? = 8 \text{ (approx.)}$$

20. Ans. B

$$\frac{20}{100} \text{ of } 600 + \frac{10}{100} \text{ of } 900 = 120 + 90 = 210 \text{ (Approx)}$$

Hence option B is correct.

21. Ans. B

$$\text{Average} = (280 + 354 + 433 + 343 + 535) / 5 = 389$$

22. Ans. D

$$\text{Difference} = (235 + 567) - 134 = 668$$

23. Ans. E

$$\text{Total animals in China in 1990} = 320 + 346 + 436 = 1102$$

$$\text{Total bears in Sri Lanka} = 255 + 343 + 545 + 546 + 453 = 2142$$

$$\text{Required percent} = (1102/2142) \times 100 = 51.44\% = 51\%$$

24. Ans. D

$$\text{Total animals in 2010 in China} = 411 + 535 + 534 = 1480$$

$$\text{Animals left} = 1480 - (35\% \text{ of } 1480) = 962$$

25. Ans. C

$$\text{Required ans} = 3/4 (135 + 325 + 345 + 267) = 804$$

26. Ans. D

$$\text{Let number } 10x + y$$

$$10y + x - 10x - y = 72$$

$$9y - 9x = 72$$

$$y - x = 8$$

$$x + y = 10$$

$$x = 1, y = 9$$

$$\text{Original number} = 19$$

$$\text{After interchange} = 91$$

$$\text{Average} = \frac{19 + 91}{2} = \frac{110}{2} = 55$$



FREE TEST

IBPS RRB ASSISTANT COMBO EXAM

ATTEMPT NOW

27. Ans. C

Use: $B = [t_u + t_d] / [t_u - t_d] * R$
 15 km downstream in 18 min so 10 km in
 $(18/15)*10 = 12$ min
 $B = 4x, R = x$
 Now
 $4x = [t_u + 12] / [t_u - 12] * x$
 Solve, $t_u = 20$ min

28. Ans. C

When difference between the compound interest and simple interest on a certain sum of money for 2 yr at $r\%$ rate is Rs. x , then the sum is given by

$$\begin{aligned} \text{Sum} &= x \left(\frac{100}{r} \right)^2 \\ &= 128 \left(\frac{100}{8} \right)^2 = 128 \left(\frac{25}{2} \right)^2 \\ &= \frac{128 \times 25 \times 25}{2 \times 2} = \text{Rs. } 20000 \end{aligned}$$

Short Trick:

$$\begin{aligned} \text{Difference of SI and CI} &= p(r/100)^2 \\ 128 &= p(8/100)^2 \\ P &= 128 * 10000 / 64 = \text{Rs. } 20,000 \end{aligned}$$

29. Ans. D

$$\frac{12x5}{15x4} = \frac{432x5}{675x4}$$

$$\text{or, } \frac{1}{1} = \frac{4}{5}$$

2kg of pulse:1kg of rice= $5 \times 2:4 \times 1$
 or, 2kg of pulse:1kg of rice= $10:4=5:2$

30. Ans. E

Let Samir's monthly salary be Rs. x .
 According to the question,
 $x - (52+23)\%$ of $x = 4500$
 $x - 75\%$ of $x = 4500$
 25% of $x = 4500$
 $x = \frac{4500 \times 100}{25} = \text{Rs. } 18000$

31. Ans. B

Let nishant capital is x
 $(8500 \times 36) / (x \times 2(D)) = 15/12$
 $x = 10200$

32. Ans. B

A alone can fill the part of tank in 1 hour = $1/2$
 B alone can fill the part of tank in 1 hour = $1/3$
 A alone can empty the part of tank in 1 hour = $1/6$
 \Rightarrow Part of tank filled in 1 hour
 $= 1/2 + 1/3 - 1/6 = 2/3$
 Now, Time taken to fill $2/3$ part of the tank
 $= 1$ hour,
 Hence, time taken to fill the whole tank will be
 $= 1 / (2/3)$ hours
 $= 3/2$ hours
 $= 1 1/2$ hours.

33. Ans. A

Let the present ages of the woman and her daughter be $5x$ and x yr respectively.
 According to the question,

$$\begin{aligned} 5x + x &= 21 \times 2 \\ 6x &= 42 \end{aligned}$$

$$x = \frac{42}{6} = 7$$

\therefore Woman's age = $5 \times 7 = 35$ yr
 Required ratio = $(35 + 5):(7+5)$
 $= 40 : 12 = 10 : 3$

34. Ans. D

C.P. = ₹ 6500
 loss = $20\% = 20 \times 6500/100 = 1300$
 S.P. = CP - loss = $6500 - 1300 = 5200$ ₹
 Now C.P. = ₹ 5200
 profit = $25\% = 25 \times 5200/100 = 1300$
 Hence Total S.P. = C.P. + gain
 $= 5200 + 1300 = ₹ 6500$
 Now difference between the amount he has now and initial amount he had = $6500 - 6500 = 0$ ₹
 Therefore he has neither gain nor loss.

35. Ans. E

Let the sum be ₹P.

$$\text{Then, } \frac{P \times 12.5 \times 4}{100} - \frac{P \times 14 \times 3}{100} = 38.8$$

$$\text{or } \frac{50P - 42P}{100} = 38.8$$

$$\text{or, } 8P = 38.8 \times 100 = 3880$$

$$\therefore P = \frac{3880}{8} = ₹ 485$$



FREE TEST
 IBPS RRB ASSISTANT COMBO EXAM

ATTEMPT NOW

36. Ans. B

1 girl's 1 days work = $1/(8 \times 4) = 1/32$
 1 boy's 1 days work = $1/(3 \times 2) = 1/6$
 1 woman's 1 days work = $1/(5 \times 4) = 1/20$
 Clearly, girls are less efficient i.e., they are taking the most time.

37. Ans. C

Speed of the Car = $\frac{540}{9} = 60 \text{ km/hr}$

Speed of train = $2 \times 60 = 120 \text{ km/hr}$
 Speed of bike = $2/3 \times 120 = 80 \text{ km/hr}$
 Distance covered by bike in 5 h = $80 \times 5 = 400 \text{ km}$
 Hence option C is correct

38. Ans. C

Same number = [1,1,1,1] or [2,2,2,2] or
 [6,6,6,6]
 Total favorable cases = 6
 Total cases = 6^4
 Probability = $6/6^4 = 1/6^3 = 1/216$

39. Ans. A

4 men + 6 women = 8 men
 6 women = 4 men
 So 6 men + 6 women = 6 men + 4 men \Rightarrow 10 men
 $M1D1 = M2D2$
 $8 \times 40 = 10 \times D2$
 $D2 = 32 \text{ days}$

40. Ans. C

According to the question
 (3 boys out of 6) and (2 girls out of 5) are to be chosen.

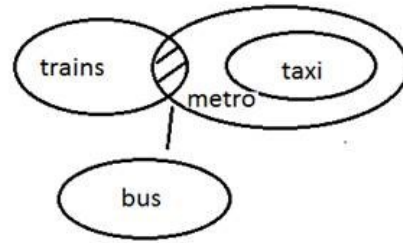
\therefore Required number of ways =
 $({}^6C_3 \times {}^5C_2) = \left(\frac{6 \times 5 \times 4}{3 \times 2 \times 1} \times \frac{5 \times 4}{2 \times 1} \right) = 200$

41. Ans. B



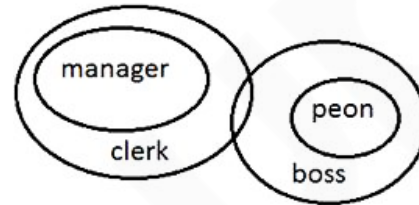
42. Ans. D

Only I & III follow

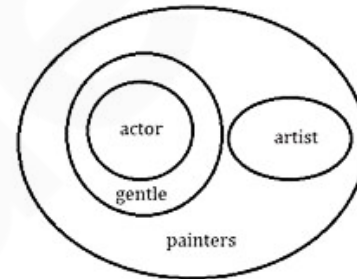


43. Ans. B

Only III follows

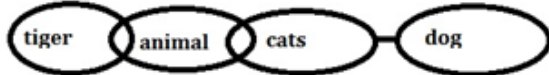


44. Ans. A



None of the four conclusions is necessarily true. Hence None follows will be the answer.

45. Ans. B



46. Ans. A

Statement: $W > D < M < P < A = F$
 I. $F > D$ (it follows)
 II. $P < W$ (it does not follow)

47. Ans. D

Statement: $H > M > F < A = B > S$
 I. $H > B$ (it does not follow)
 II. $F < S$ (it does not follow)

48. Ans. B

Statement: $B > T > Q > R = F$
 I. $Q \geq F$ (it does not follow)
 II. $T > F$ (it follows)

49. Ans. B

Statements: $S = R \geq Q, P < Q$
 I. $S \geq P$ (it does not follow)
 II. $R > P$ (it follows)

50. Ans. B

Statements: $S > M < Y = Z > F > T$
 I. $S > F$ (it does not follow)
 II. $Y > T$ (it follows)

51. Ans. D

There are 3 such combinations – DF1, MJ3, NP8.

52. Ans. E

There are 4 such combinations – V2E, F1U, J32, P8Z.

53. Ans. C

There are 2 such combinations – U#, I ©.

54. Ans. A

Except PV#, every other combination has a gap of one position between first two letter and gap of two position in last 2 letter in the arrangement.

55. Ans. A

Fifth to the left of the fifteen from the right end means - $5 + 15 = 20$ th element from right end which is U.

3 P I V 2 E 9 # D F 1 U # B % 8 J I © W M J 3 2 V @ 5 N P 8 Z

56. Ans. B

Anu	Bablu	Dheeru	Falak	Esha	Chetan	Harish	Golu
South	North	North	North	South	South	South	North

Two persons are seated between Anu and Falak

57. Ans. C

Anu	Bablu	Dheeru	Falak	Esha	Chetan	Harish	Golu
South	North	North	North	South	South	South	North

Anu, Golu represents the persons seated at the two extreme ends of the line.

58. Ans. A

Anu	Bablu	Dheeru	Falak	Esha	Chetan	Harish	Golu
South	North	North	North	South	South	South	North

The position of Bablu with respect of Falak second to the left.

59. Ans. E

Anu	Bablu	Dheeru	Falak	Esha	Chetan	Harish	Golu
South	North	North	North	South	South	South	North

Golu does not belong to the group because all other are facing towards South.

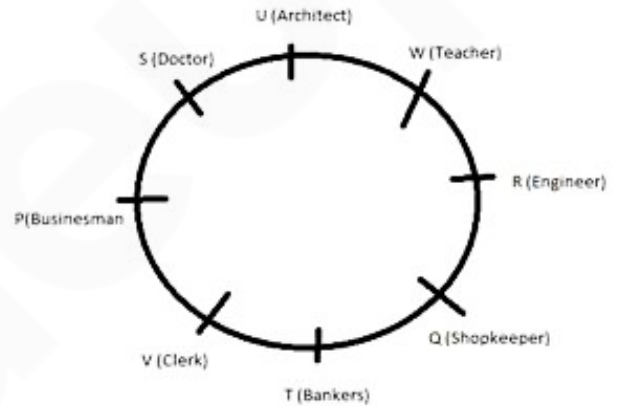
60. Ans. C

Anu	Bablu	Dheeru	Falak	Esha	Chetan	Harish	Golu
South	North	North	North	South	South	South	North

Harish sits on the immediate left of Chetan

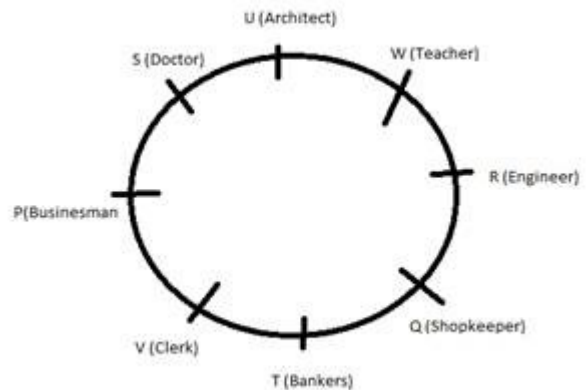
61. Ans. C

The clerk is an immediate neighbor of the banker is true.



62. Ans. D

W is a teacher

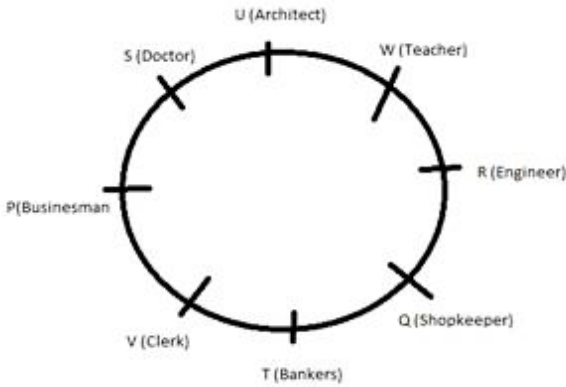


FREE TEST
 IBPS RRB ASSISTANT COMBO EXAM

ATTEMPT NOW

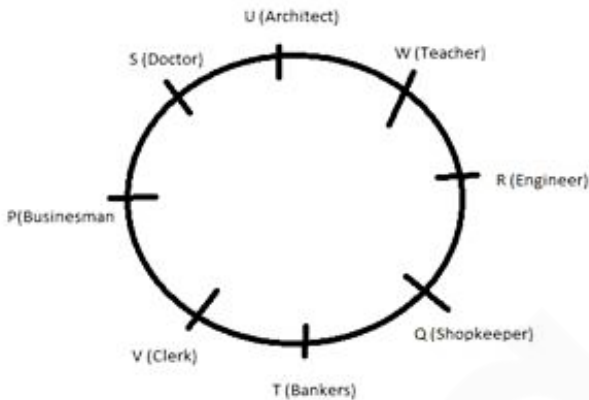
63. Ans. C

The position of doctor with respect to the shopkeeper is fourth to the right



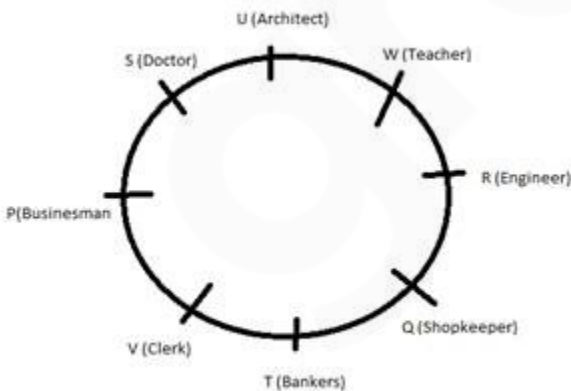
64. Ans. D

Doctor sits exactly between the architect and the businessman



65. Ans. A

V is a clerk



66. Ans. A

Rakesh is a Teacher and Rakesh's wife is Reena who is a lawyer.

Note: Mukesh & Rakesh are married couples and their mother is a lawyer who is head of the family. Wife of Mukesh is a Doctor and Rakesh's wife is Reena who is a lawyer. Ajay is the son of Mukesh.

67. Ans. C

Mukesh & Rakesh are married couples and their mother is a lawyer who is head of the family.

Wife of Mukesh is a Doctor and Rakesh's wife is Reena who is a lawyer. Ajay is the son of Mukesh.

68. Ans. B

Three males are - Mukesh, Rakesh and Ajay.

Note: Mukesh & Rakesh are married couples and their mother is a lawyer who is head of the family. Wife of Mukesh is a Doctor and Rakesh's wife is Reena who is a lawyer. Ajay is the son of Mukesh.

69. Ans. D

Mukesh & Rakesh are married couples and their mother is a lawyer who is head of the family.

Wife of Mukesh is a Doctor and Rakesh's wife is Reena who is a lawyer. Ajay is the son of Mukesh.

70. Ans. C

vo' stand for - share

Solutions:

- in - to
- market - pi
- less - je
- share - vo
- maximum - zo
- dollar - ab
- now - su
- making - ka
- the/gains - do/yo

71. Ans. A

the code for 'making' is - ka

Solutions:

- in - to
- market - pi
- less - je
- share - vo
- maximum - zo
- dollar - ab
- now - su
- making - ka
- the/gains - do/yo

72. Ans. E

the code for 'gain' is - either yo or do

Solutions:

- in - to
- market - pi
- less - je
- share - vo
- maximum - zo
- dollar - ab
- now - su
- making - ka
- the/gains - do/yo

73. Ans. B

the code for 'the maximum you share' is - vo wiz zo do

Solutions:

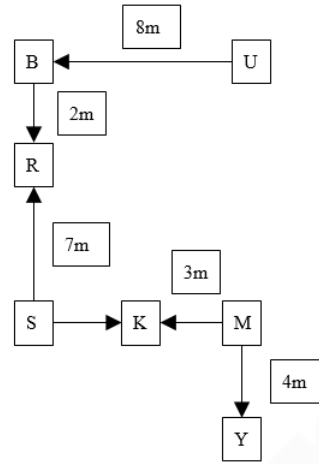
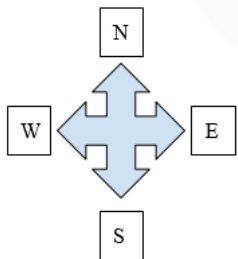
- in - to
- market - pi
- less - je
- share - vo
- maximum - zo
- dollar - ab
- now - su
- making - ka
- the/gains - do/yo

74. Ans. E

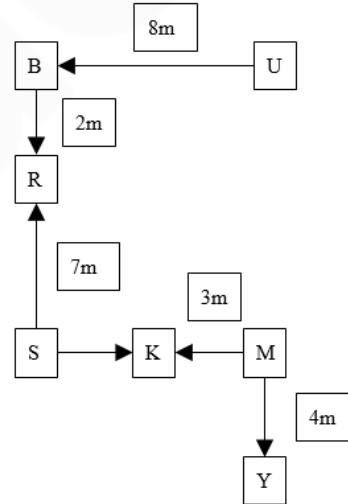
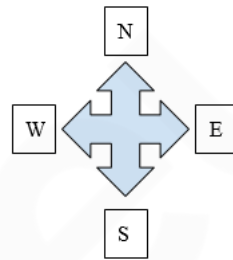
Solutions:

- in - to
- market - pi
- less - je
- share - vo
- maximum - zo
- dollar - ab
- now - su
- making - ka
- the/gains - do/yo

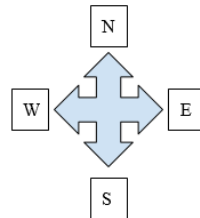
75. Ans. B



76. Ans. D

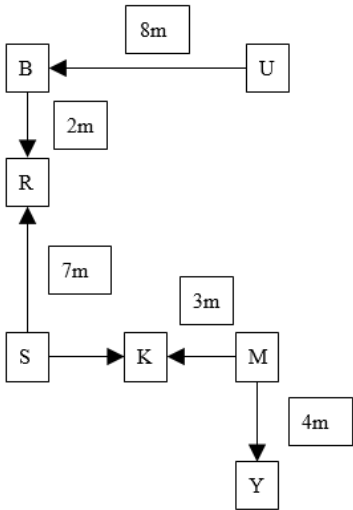


77. Ans. A

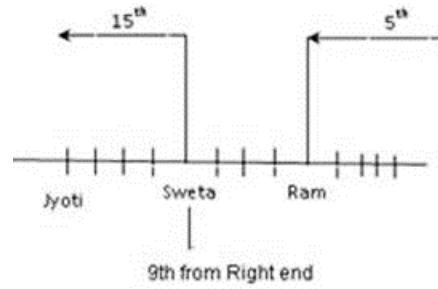


FREE TEST
IBPS RRB ASSISTANT COMBO EXAM

ATTEMPT NOW



78. Ans. D
From the figure, it is clear that Shweta is 9th from the right end.



79. Ans. E
According to the question, distance travelled
E (30) > A > B (15) > D > C
Either C or D possibly travels 5 km to the workplace

80. Ans. A
According to the question, distance travelled - E
(30) > A > B (15) > D > C
A possibly travels 20 km to his workplace.